

# Installation Manual for the

# **GTO**<sup>®</sup>/**ACCESS SYSTEMS**

**PROFESSIONAL RESIDENTIAL**

# **3000XLS**

## **SINGLE Gate Operator System**

### **PROFESSIONAL INSTALLATION RECOMMENDED!**

#### **⚠ WARNING! ⚠**

This equipment is similar to other gate or door equipment and meets or exceeds Underwriters Laboratory Standard 325 (UL 325). However, gate equipment has hazards associated with its use and therefore by installing this product the installer and user accept full responsibility for following and noting the installation and safety instructions. Failure to follow installation and safety instructions can result in hazards developing due to improper assembly. You agree to properly install this product and that if you fail to do so Gates That Open, LLC, ("GTO") shall in no event be liable for direct, indirect, incidental, special or consequential damages or loss of profits whether based in contract tort or any other legal theory during the course of the warranty or at any time thereafter. The installer and/or user agree to assume responsibility for all liability and use of this product releasing Gates That Open, LLC, from any and all liability. If you are not in agreement with this disclaimer or do not feel capable of properly following all installation and safety instructions you may return this product for full replacement value.

**READ ALL INSTRUCTIONS CAREFULLY AND COMPLETELY** before attempting to install and use this automatic gate operator. This gate operator produces a high level of force. Stay clear of the unit while it is operating and exercise caution at all times.

All automatic gate operators are intended for use on *vehicular gates only*.



This product meets and exceeds the requirements of UL 325, the standard which regulates gate operator safety, as established and made effective March 1, 2000, by Underwriters Laboratories Inc.

# **GTO**<sup>®</sup>

**GATES THAT OPEN**, LLC

For more information on the GTO/ACCESS SYSTEMS full line of automatic gate operators and access controls visit our website at **[www.gtoaccess.com](http://www.gtoaccess.com)**.

# Class Rating

The GTO 3000XLS Gate Operator is intended for use with **vehicular swing gates in single family residential applications**. The operator is system certified to be in compliance with UL 325, current edition, as of publication date.

## Vehicular Gate Operator Class Categories:

**Residential Vehicular Gate Operator—Class I:** A vehicular gate operator (or system) intended for use in a home of one-to-four single family dwelling, or a garage or parking area associated therewith.

**Commercial/General Access Vehicular Gate Operator—Class II:** A vehicular gate operator (or system) intended for use in a commercial location or building such as a multifamily housing unit (five or more single family units), hotel, garages, retail store, or other building servicing the general public.

**Industrial/Limited Access Vehicular Gate Operator—Class III:** A vehicular gate operator (or system) intended for use in an industrial location or building such as a factory or loading dock area or other locations not intended to service the general public.

**Restricted Access Vehicular Gate Operator—Class IV:** A vehicular gate operator (or system) intended for use in a guarded industrial location or building such as an airport security area or other restricted access locations not servicing the general public, in which unauthorized access is prevented via supervision by security personnel.

### *Converting Metric Units to English Equivalents*

<b>When You Know</b>	<b>Multiply By</b>	<b>To Find</b>	<b>Symbol</b>
centimeters	0.3937	inches	in. (or ")
meters	3.2808	feet	ft. (or')
kilograms	2.2046	pounds	lb. (or #)

### *Converting English Units to Metric Equivalents*

<b>When You Know</b>	<b>Multiply By</b>	<b>To Find</b>	<b>Symbol</b>
inches	2.5400	centimeters	cm
feet	0.3048	meters	m
pounds	0.4535	kilograms	kg

### *Converting Temperature*

deg. Celsius	$(^{\circ}\text{C} \times 1.8) + 32$	deg. Fahrenheit	$^{\circ}\text{F}$
deg. Fahrenheit	$(^{\circ}\text{F} - 32) \div 1.8$	deg. Celsius	$^{\circ}\text{C}$

## FOR YOUR RECORDS

Please record the following information product serial number (located on right side of control box), be sure to **keep all receipts for proof of purchase**. Refer to this information when calling GTO for service or assistance with your automatic gate opener.

Serial Number: \_\_\_\_\_ Date of Purchase: \_\_\_\_\_

Place of Purchase: \_\_\_\_\_

# Table of Contents


Class Rating .....	inside cover
Please Read This First .....	ii
Important Safety Instructions.....	iii
Technical Specifications.....	1
Before You Begin... ..	2
Determine Charging Option for Battery: Transformer OR Solar .....	2
Solar Panel and Gate Activity Chart .....	2
Check Direction of Gate Swing .....	3
Prepare the Gate .....	3
Gate Grounding .....	3
3000XLS Parts List.....	4
Tools Needed.....	5
Materials You may Need for the Installation: .....	5
Installation Overview .....	6
Install the Operator .....	6
Install the Post Bracket Assembly .....	6
Check Clearance.....	8
Install Gate Bracket.....	9
Attach Operator.....	9
Install Closed Position Stop Plate.....	10
Mount the Control Box and Receiver.....	11
Connect Operator Power Cable.....	12
Connect the Power Input.....	13
Connect Battery.....	14
Control Board Settings.....	15
Set the Closed Position Limit (for Pull-To-Open Applications) .....	16
Adjust the Stall Force Setting .....	16
Set Auto Close Time .....	16
Program Your Personal Transmitter Setting .....	17
DIP Switch Settings .....	18
Connecting Accessories.....	19
Wiring Accessories.....	20
Connecting Other Auxiliary Devices (Sirens, Lights, etc.).....	20
Push-To-Open Installation .....	21
Setting the Open Position Limit (Push-To-Open Installations).....	22
Column Installation .....	23
Troubleshooting Guide.....	24
Voltage Readings .....	25
Repair Service.....	26
Accessories .....	27


# Please Read This First



Thank you for purchasing a GTO/ACCESS SYSTEMS 3000XLS. When correctly installed and properly used, your 3000XLS operator will give you many years of reliable service. Please read the following information to ensure you have the correct system for your particular needs. This manual will enable you to properly install your 3000XLS Automatic Gate Operator.

The 3000XLS operator is designed for installation on a pull-to-open single leaf gate. The gate must not exceed 16 feet in length nor weigh more than 650 pounds\* (please see Technical Specifications on page 1). The 3000XLS operator can be used on vinyl, aluminum, chain link, farm tube, and wrought iron gates. **Use on solid (wood) gates is not recommended. Solid surface gates have a high resistance to the wind. If the wind is strong enough, the operator will obstruct, stop, and blow fuses.**

\*NOTE: The 3000XLS can be installed on a push-to-open gate with the addition of the push-to-open bracket  [R4388].

The 3000XLS operator accommodates extra transmitters, digital keypads, solar panels, push buttons, automatic gate locks, and other access control products. **These optional accessories are noted with the  symbol.**

The 3000XLS operator features **adjustable stall force**. This safety feature makes the gate stop and reverse direction within two seconds when it comes in contact with an obstruction. The "MIN" setting means the gate will exert the minimum force on an obstruction before it stops and reverses direction.

The 3000XLS operator also has an **adjustable auto-close** feature. It can be set to remain open from 3 to 120 seconds before automatically closing. Pressing the transmitter button at any time after the gate fully opens will cause it to close immediately. "OFF" is the factory setting; meaning the gate will stay open until you press the transmitter button (or keypad, etc.) again.

Please call GTO at (800) 543-GATE [4283] or (850) 575-0176 for more information about our GTO/ACCESS SYSTEMS professional line of gate operators and accessories. Our Sales Department will be glad to give you the name and phone number of a GTO/ACCESS SYSTEMS dealer near you.

## BEFORE YOU BEGIN TO INSTALL YOUR AUTOMATIC GATE OPERATOR:

**Read these instructions carefully and completely to become familiar with all parts and installation steps. You must read the installation manual for detailed instructions on gate operator safety and proper use of the gate operator.**

**24/7 Troubleshooting Wizard: <http://support.gtoinc.com>**




GTO Accessories are noted with this symbol in this Installation Manual. Information about accessories can be found on page 27 and at [www.gtoaccess.com](http://www.gtoaccess.com).

# IMPORTANT SAFETY INSTRUCTIONS



Because automatic gate operators produce high levels of force, consumers need to know the potential hazards associated with improperly designed, installed, and maintained automated gate operator systems. *Keep in mind that the gate operator is just one component of the total gate operating system.* Each component must work in unison to provide the consumer with convenience, security, and safety.

This manual contains various safety precautions and warnings for the consumer. Because there are many possible applications of the gate operator, the safety precautions and warnings contained in this manual cannot be completely exhaustive in nature. They do, however, provide an overview of the safe design, installation, and use of this product. **CAREFULLY READ AND FOLLOW ALL SAFETY PRECAUTIONS, WARNINGS, AND INSTALLATION INSTRUCTIONS TO ENSURE THE SAFE SYSTEM DESIGN, INSTALLATION, AND USE OF THIS PRODUCT.**

Precautions and warnings in this manual are identified with this  warning symbol. The symbol identifies conditions that can result in damage to the operator or its components, serious injury, or death.


**Because GTO automatic gate operators are only part of the total gate operating system, it is the responsibility of the installer/consumer to ensure that the total system is safe for its intended use.**

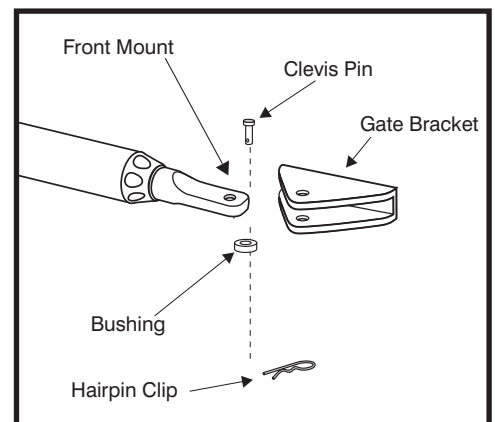
## How To Manually Open and Close the Gate:

 **CAUTION:** The gate can be opened and closed manually when the operator is disconnected. **ONLY** disconnect the operator when the operator power switch is OFF and the gate is NOT moving.

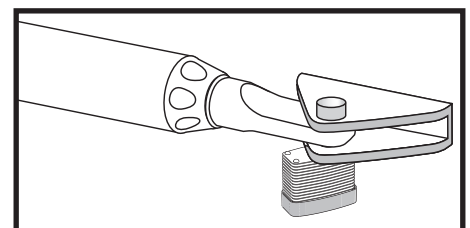
### Disconnecting the Operator

1. Turn operator power switch (Control Box) OFF.
2. Remove hairpin clip, clevis pin, and bushing from both the front and rear mounting points.
3. Remove the operator from the mount.

 **CAUTION:** Because the GTO gate operator is battery powered, disconnect the operator **ONLY** when the power switch on the control box is turned OFF. Unplugging the transformer does not turn power to the operator OFF.



NOTE: Substitute a Pin Lock  [FM345] for the clevis pin on the front mount of the gate operator to prevent unauthorized removal of the operator from the gate.





# IMPORTANT SAFETY INSTRUCTIONS

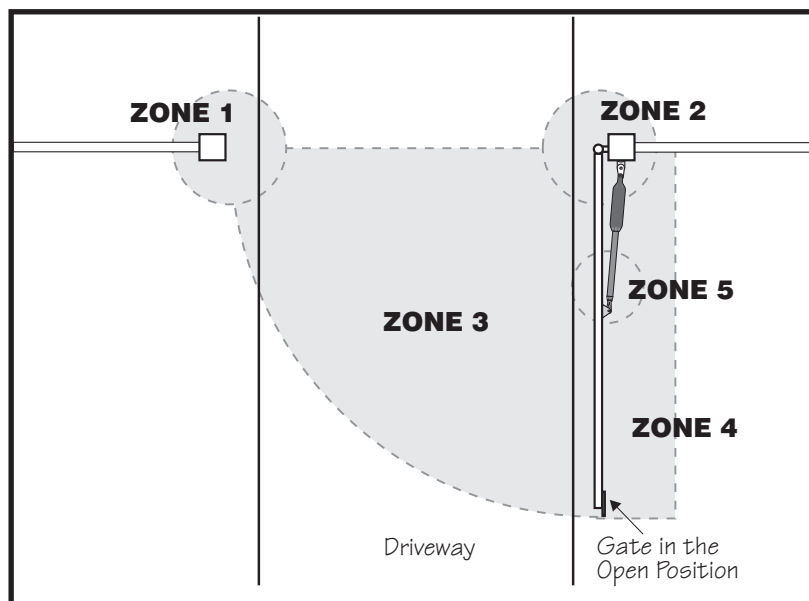
## For The Consumer

### **WARNING:** To reduce the risk of injury or death:

1. **READ AND FOLLOW ALL INSTRUCTIONS.** Failure to meet the requirements set forth in the instruction manual could cause severe injury or death, for which the manufacturer cannot be held responsible.
2. When designing a system that will be entered from a highway or main thoroughfare, make sure the system is placed far enough from the road to prevent traffic congestion.
3. The gate must be installed in a location that provides adequate clearance between it and adjacent structures when opening and closing to reduce the risk of entrapment. Swinging gates must not open into public access areas.
4. The gate and gate operator installation **must comply with any applicable local codes.**

### I. Before Installation

1. Verify this operator is proper for the type and size of gate, its frequency of use, and the proper class rating.
2. Make sure the gate has been properly installed and swings freely in both directions. Repair or replace all worn or damaged gate hardware prior to installation. A freely moving gate will require less force to operate and will enhance the performance of the operator and safety devices used with the system.
3. Review the operation of the system to become familiar with its safety features. Understand how to disconnect the operator for manual gate operation (page iii).
4. This gate operator is intended for vehicular gates **ONLY**. A separate entrance or gate must be installed for pedestrian use (page vi).
5. Always keep people and objects away from the gate and its area of travel. **NO ONE SHOULD CROSS THE PATH OF A MOVING GATE.**
6. Pay close attention to the diagram below and be aware of these areas at all times.



### Entrapment Zones for a proper Pull-To-Open installation:

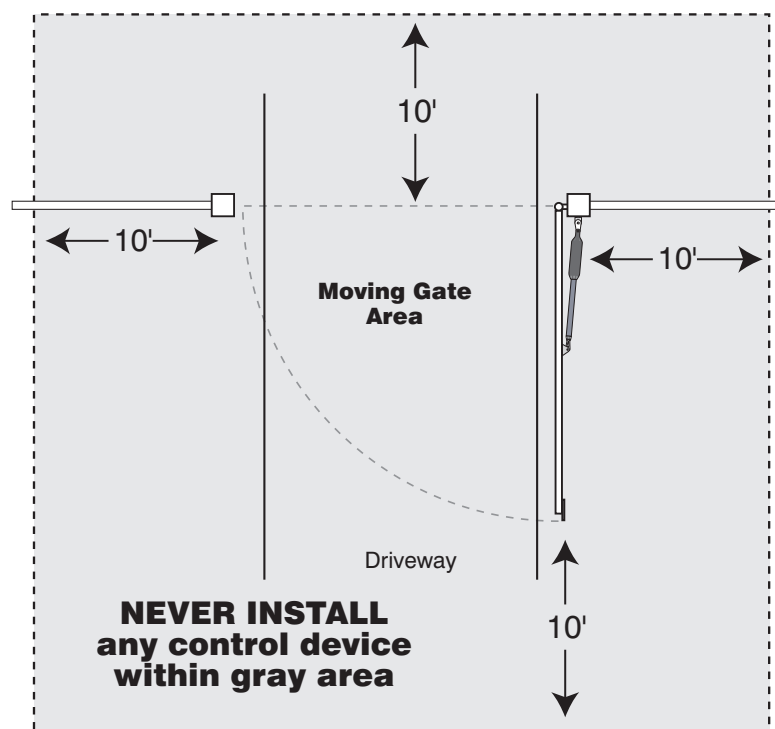
- Zone 1** – leading edge of the gate and post.
- Zone 2** – between the gate and the gate post.
- Zone 3** – the path of the gate.
- Zone 4** – the space between the gate in the open position and any object such as a wall, fence, etc.
- Zone 5** – pinch points between the operator and gate.

# IMPORTANT SAFETY INSTRUCTIONS



## II. During Installation

1. Install the gate operator on the inside of the property and fence line. **DO NOT** install an operator on the outside of the gate where the public has access to it.
2. Be careful with moving parts and avoid close proximity to areas where fingers or hands could be pinched.
3. **Devices such as contact sensors (safety edges) and non contact sensors (photo beams) provide additional protection against entrapment.**
4. If push buttons or keypads are installed, they should be within sight of the gate, yet located at least 10 feet from any moving part of the gate (see diagram below). **Never install any control device where a user will be tempted to reach through the gate to activate the gate operator.**
5. Do not activate your gate operator unless you can see it and can determine that its area of travel is clear of people, pets, or other obstructions. Watch the gate through its entire movement.
6. Secure outdoor or easily accessed gate operator controls in order to prohibit unauthorized use of the gate.



## III. After Installation

1. Attach the **warning signs (included)** to each side of the gate to alert the public of automatic gate operation. It is **your responsibility** to post warning signs on both sides of your gate. If any of these signs or warning decals become damaged, illegible or missing, replace them immediately. Contact GTO for free replacements.
2. The gate is automatic and could move at any time, posing a serious risk of entrapment. No one should be in contact with an activated gate when it is moving or stationary.
3. Do not attempt to drive into the gate area while the gate is moving; wait until the gate comes to a complete stop.
4. Do not attempt to "beat the gate" (drive through) while the gate is closing. This is extremely dangerous.
5. Do not allow children or pets near your gate. **Never let children operate or play with gate controls.** Keep ALL gate controls away from children and unauthorized users; store controls where children and unauthorized users do not have access to them.
6. **KEEP GATE AND GATE Operator PROPERLY MAINTAINED.** Always turn power to operator OFF before performing any maintenance. Regularly grease the gate hinges. Apply silicone spray to a soft, dry cloth and clean the push-pull tube at least once a month.



# IMPORTANT SAFETY INSTRUCTIONS

7. To operate this equipment safely, YOU must know how to disconnect the operator for manual gate operation (page iii). If you have read the instructions and still do not understand how to disconnect the operator, contact the GTO Service Department.
8. Disconnect the operator **ONLY** when the power is **TURNED OFF** and the gate is **NOT** moving.
9. Make arrangements with local fire and law enforcement for emergency access.
10. Distribute and discuss copies of the **IMPORTANT SAFETY INSTRUCTIONS** section of this manual with all persons authorized to use your gate.
11. **IMPORTANT: Save these safety instructions. Make sure everyone who is using or will be around the gate and gate operator are aware of the dangers associated with automated gates. In the event you sell the property with the gate operator or sell the gate operator, provide a copy of these safety instructions to the new owner.**

Should you lose or misplace this manual, a copy can be obtained by downloading one from the GTO web site ([www.gtoaccess.com](http://www.gtoaccess.com)), by contacting Gates That Open, LLC., at 3121 Hartsfield Road, Tallahassee, Florida 32303 or by calling 1-800-543-4283 and requesting a duplicate copy. One will be provided to you free of charge.

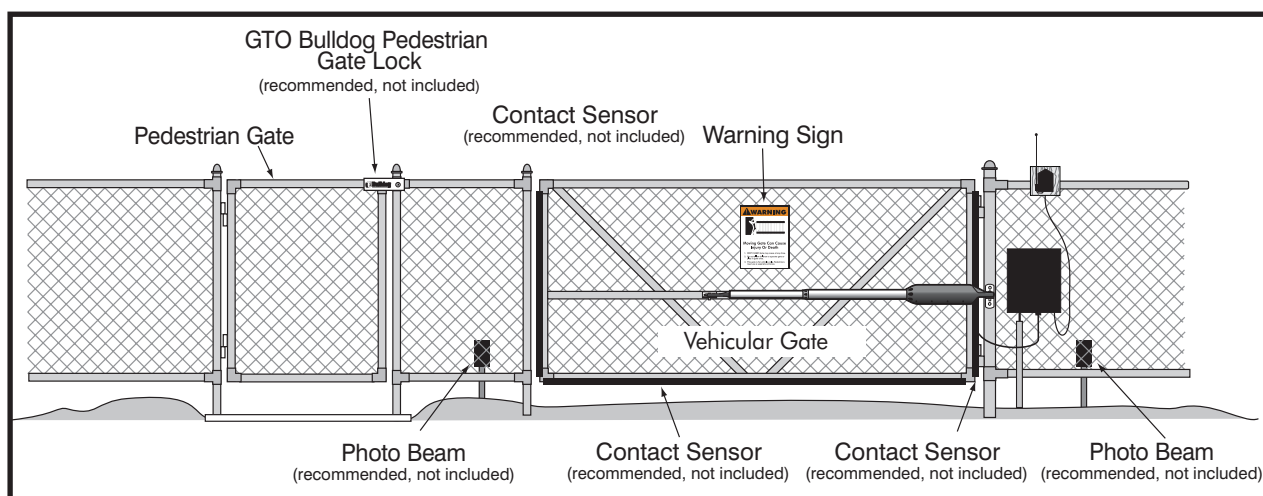
## Required Safety Precautions for Gates

### Install Warning Signs

**Warning signs** alert people of automatic gate operation and are **required** when installing the GTO Gate Operator. The Warning Signs included must be installed on both sides of each gate. Furthermore, a walk-through gate must be installed for pedestrian traffic. We recommend using the **GTO Bulldog Pedestrian Gate Lock** [FM145] for controlled access.

### Entrapment Protection

GTO's inherent obstruction settings, even when properly adjusted, **may not be sensitive enough to prevent bodily injury in some circumstances**. For this reason, safety devices such as safety edge sensors (or photoelectric sensors), which stop and reverse gate direction upon sensing an obstruction, are suggested for enhanced protection against entrapment.





# IMPORTANT SAFETY INSTRUCTIONS

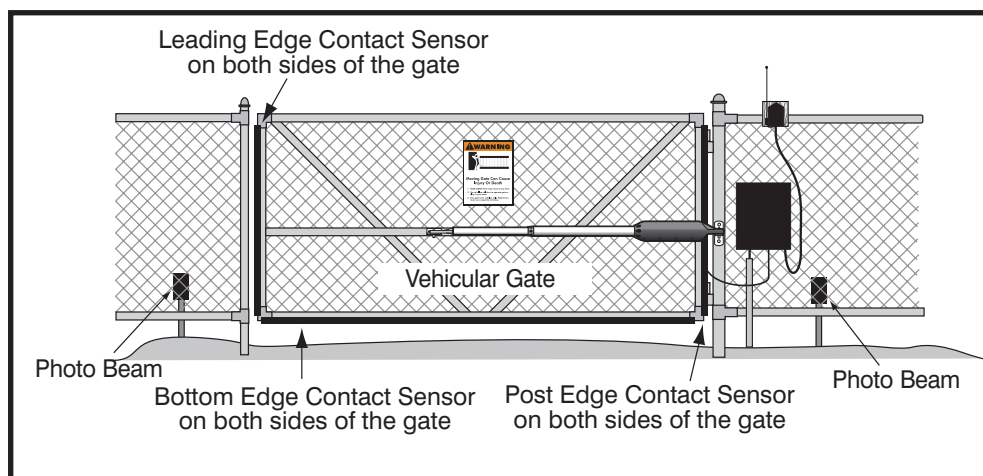


## Secondary Means of Protection Against Entrapment

As specified by Gate Operator Safety Standard, UL 325 (30A.1.1), automatic gate operators shall have an inherent entrapment sensing system, and shall have *provisions for, or be supplied with*, at least one independent secondary means to protect against entrapment. The 3000XLS utilizes **Type A**, an inherent (i.e., built-in) entrapment sensing system as the **primary** type of entrapment protection. Also, the 3000XLS has *provisions for* the connection of **Type B1 or B2** protection to be used as the **secondary** type of entrapment protection, if desired.

1. For gate operators utilizing a non-contact sensor (e.g., photo-electric sensor– Type B1) in accordance with UL 325 (51.8.4 [h]):
  - A. Refer to the sensor manufacturer's instructions on the placement of non-contact sensors for each type of application.
  - B. Care shall be exercised to reduce the risk of nuisance tripping, such as when a vehicle trips the sensor while the gate is still moving.
  - C. One or more non-contact sensors shall be located where the risk of entrapment or obstruction exists, such as the perimeter reachable by a moving gate or barrier.
2. For gate operators utilizing a contact sensor (e.g., safety edge sensor– Type B2) in accordance with UL 325 (51.8.4 [i]):
  - A. One or more contact sensors shall be located at the leading edge, bottom edge, and post edge, both inside and outside of a vehicular swing gate system.
  - B. A hard wired contact sensor shall be located and its wiring arranged so that the communication between the sensor and the gate operator is not subjected to mechanical damage.
  - C. A wireless contact sensor such as one that transmits radio frequency (RF) signals to the gate operator for entrapment protection functions shall be located where the transmission of the signals are not obstructed or impeded by building structures, natural landscaping or similar obstruction. A wireless contact sensor shall function under the intended end-use conditions.

You may want to consider adding photo beams to your installation. GTO Photo Beams  [R4222] provide a “non contact” means of entrapment protection.



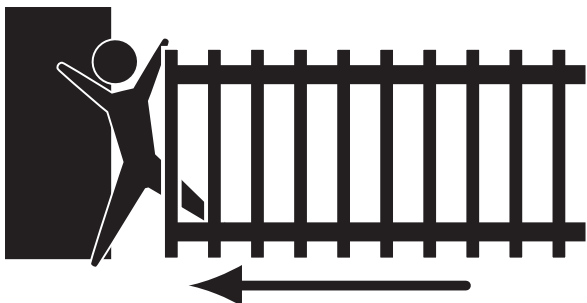
## ENTRAPMENT ALARM (UL 325; 30A.1.1A)

The 3000XLS Gate Operator is designed to stop and reverse within 2 seconds when the gate comes in contact with an obstruction. Additionally, these operators are equipped with an **audio entrapment alarm** which will activate if the unit obstructs **twice** while opening or closing. This alarm will sound for a period of 5 minutes, or until the operator receives an intended signal from a hard wired entry/exit source (e.g. push button control or keypad) and the gate returns to a fully open or fully closed position. Turning the power switch on the control box OFF and back ON will also deactivate the alarm. Wireless controls such as transmitters and wireless keypads will not deactivate the alarm.



# IMPORTANT SAFETY INSTRUCTIONS

## **WARNING**



### Moving Gate Can Cause Injury Or Death

1. **KEEP CLEAR!** Gate may move at any time.
2. **Do not allow children to operate gate or play in gate area.**
3. **This gate is for vehicles only. Pedestrians must use a separate entrance.**

Warning signs (2 enclosed) to be installed on each side of the gate (3–5 feet above the bottom of the gate).



#### **GTO DC SWING SERIES**

Conforms to UL 325 STANDARDS

Maximum Gate: 650 lb. (294.8 kg); 16 ft. (4.9 m)

Voltage: 12 Vdc; Frequency: 0 Hz; Power: 60 W

Class I Vehicular Swing Gate Operator.

9901178

Serial Number: XXXXXX

#### **TO MANUALLY OPEN AND CLOSE THE GATE:**

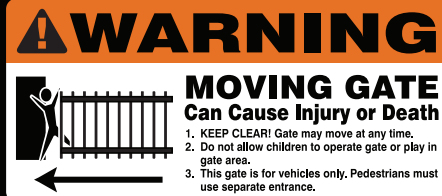
1. Turn control box power switch OFF.
2. Disconnect front or rear mount.
3. Pull operator away from front or rear mounts.

**Disconnect operator ONLY when the control box power switch is OFF and the gate is NOT moving.**

XXXXXX

Gates That Open, LLC • Tallahassee, Florida USA

Product identification and manual operation instruction label (1) installed on right side of control box.



Logo and warning labels (2) installed on each side of operator housing.

# Technical Specifications

## GTO/ACCESS SYSTEMS 3000XLS AUTOMATIC GATE OPERATOR

### DRIVE

- Low friction screw drive (linear actuator) rated for -5 °F to +160 °F (-21 °C to +71 °C). Use of GTO battery heater FM316 (Not solar compatible) is recommended in extreme cold temperatures.
- Powered by a 12 V motor with integral case hardened steel gear reducer. Motor speed reduced to 375 rpm.
- Maximum opening arc of 110°. Approximate opening time (90°): 15-20 seconds, depending on weight of gate.

### POWER

- The system is powered by a 12 Vdc, 7.0 Ah, sealed, rechargeable acid battery.
- Battery charge is maintained by a 120 Vac, 18 Vac output transformer. Blade-style control board fuse is rated for 25 A. NOTE: The transformer should not be directly connected to any battery. Do not replace fuses with higher ampere rated fuses; doing so will void your warranty and may damage your control board.
- For optional solar charging see page 2.

### CONTROL

- GTO microprocessor-based control board is set for pull-to-open gate installations. DIP switches can be adjusted to accommodate an optional kit for push-to-open gates (see Accessory Catalog).
- A circuit on the control board regulates charging. "Sleep draw" is 25 mA; "active draw" is 3 to 7 A.
- Auto-memorization of digital transmitter code.
- GTO remote-mounted RF receiver tuned to 318 MHz.
- Operator length with push-pull tube fully retracted is 40 1/4", mounting point to mounting point, arm stroke 16" max.
- Minimum gate length is 5 ft.
- Adjustable auto-close (3 to 120 seconds), and stall force potentiometers.
- Power terminal block accommodates a transformer or solar panels (not both).
- DIP switches simplify setup of gate operator.
- Accessory terminal block fully compatible with GTO push button controls, digital keypads, loops detectors, etc.
- Control board allows connection of safety edge sensors and photoelectric sensors.
- Audio entrapment alarm sounds if unit encounters an obstruction twice while opening or closing.

### OPERATIONAL CAPACITY

- The Gate Capacity Chart shows approximate cycles, per day, you can expect from the GTO/ACCESS 3000XLS Automatic Gate Operator when powered with a transformer. Actual cycles may vary slightly depending upon the type and condition of gate and installation.

NOTE: BALL BEARING HINGES SHOULD BE USED ON ALL GATES WEIGHING OVER 250 LB.

<b>GTO/ACCESS SYSTEMS 3000XLS Gate Capacity Chart</b>									
<i>Estimated number of daily cycles, based on use with a transformer and one(1) 12 Volt battery</i>									
Gate Length	16 ft.	160	150	140	130	120	110	100	90
	14 ft.	170	160	150	140	130	120	110	100
	12 ft.	180	170	160	150	140	130	120	110
	5 – 10 ft.	190	180	170	160	150	140	130	120
		50 lb.	100 lb.	150 lb.	200 lb.	300 lb.	400 lb.	500 lb.	650 lb.
Gate Weight									

To determine the number of cycles the gate operator will perform using solar panels, please see the specifications listed on page 2.

\* An operation cycle is one full opening and closing of the gate.

These specifications are subject to change without notice.

# Before You Begin...

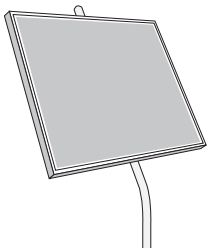
## 1. Determine Charging Option for Battery: Transformer OR Solar

**NEVER USE TRANSFORMER AND SOLAR PANEL(S) AT THE SAME TIME.  
It will damage the control board.**

**IMPORTANT:**

- The 3000XLS' 12 volt battery must be charged by either connecting the transformer (included) or solar panel kit ⊕[FM123] to the control board.
- The transformer is designed for indoor use. If the transformer can be plugged only into an outside electrical outlet, a weatherproof cover/housing (available at local electrical supply stores) must be used.
- If your gate is more than 1000 ft. from an AC power source, you will need to use at least 10 watts solar charging power to charge the battery ⊕[FM123]. Refer to the Solar Panel and Gate Activity chart below.
- All low voltage wire used with the GTO Gate Operator must be 16 gauge dual conductor, stranded, direct burial wire ⊕[RB509]. **Do not** run more than 1000 ft. of wire.

### Solar Panel and Gate Activity Chart



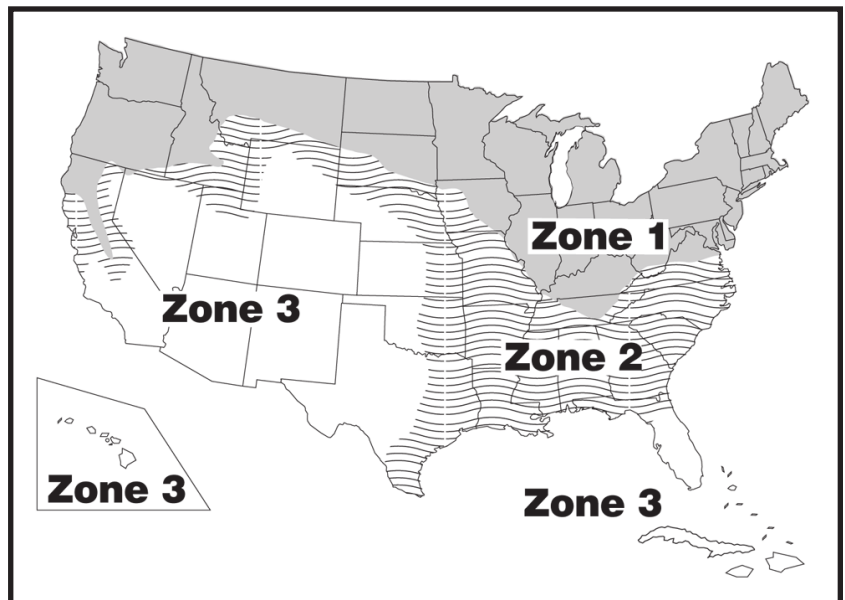
The table and map illustrate the maximum number of gate cycles to expect per day in a particular area when using from 10 to 30 watts of solar charging power. The figures shown are for winter (minimum sunlight).

Winter Ratings for 12 V Single Gate	Zone 1	Zone 2	Zone 3
10 watts	8	16	26
15 watts	11	20	30
20 watts	14	28	38
25 watts	17	36	46
30 watts	20	44	54

**Accessories connected to your system will draw additional power from the battery.**

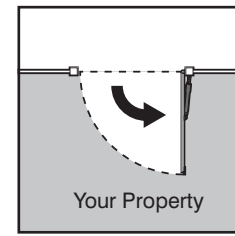
NOTE: A minimum of 10 watts solar charging power is needed to charge the batteries. Adding a second battery ⊕ [RB500] will improve the number of gate cycles.

- ⊕ 10 Watt Solar Panel [FM123]
- ⊕ 5 Watt Solar Panel [FM122]

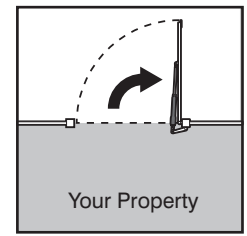


## 2. Check Direction of Gate Swing

The 3000XLS is designed for PULL-TO-OPEN installations. PUSH-TO-OPEN installations require a Push-To-Open Bracket [R4388]. Please refer to specific Push-To-Open Installation Information on page 21.



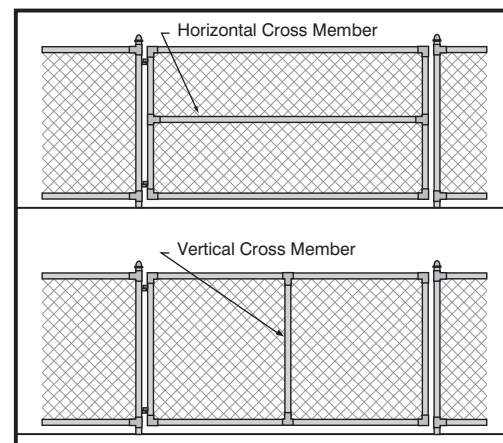
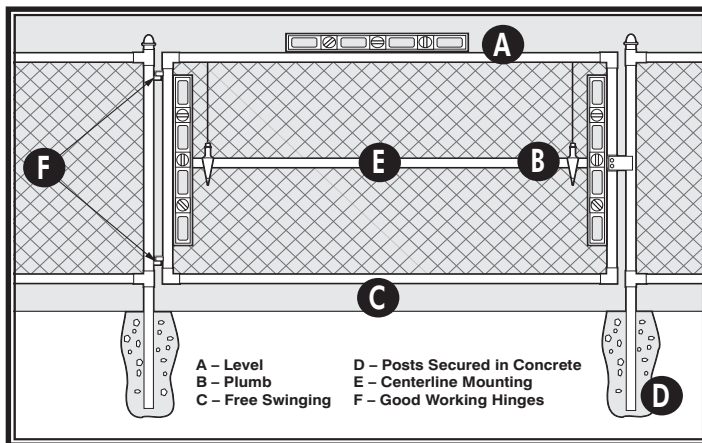
**Pull-To-Open**  
(arm retracts to open)



**Push-To-Open**  
(arm extends to open)

## 3. Prepare the Gate

- The gate must be plumb, level, and swing freely on its hinges.
- The gate must move throughout its arc without binding or dragging on the ground.
- Wheels must NOT be attached to the gate.
- Gates over 250 lb. should have ball bearing hinges with grease fittings.
- Post must be secured in the ground with concrete (minimizes twist/flex when the operator is activated).
- Make sure there is a stable area for mounting the gate bracket (this may require the addition of a horizontal or vertical cross member).
- We recommend you position the operator near the center-line of the gate to keep the gate from twisting and flexing, and to avoid back-splash from rain.



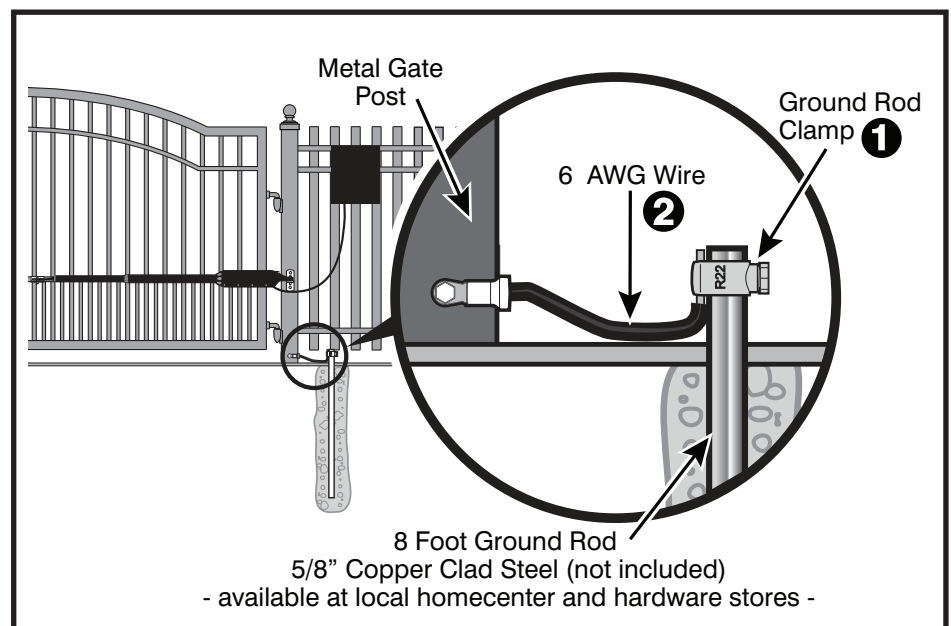
## 4. Gate Grounding

- Shorter cable is better, 1 to 2 feet recommended.
- Bolt ring terminal at end of cable 4 - 6 inches above ground level.

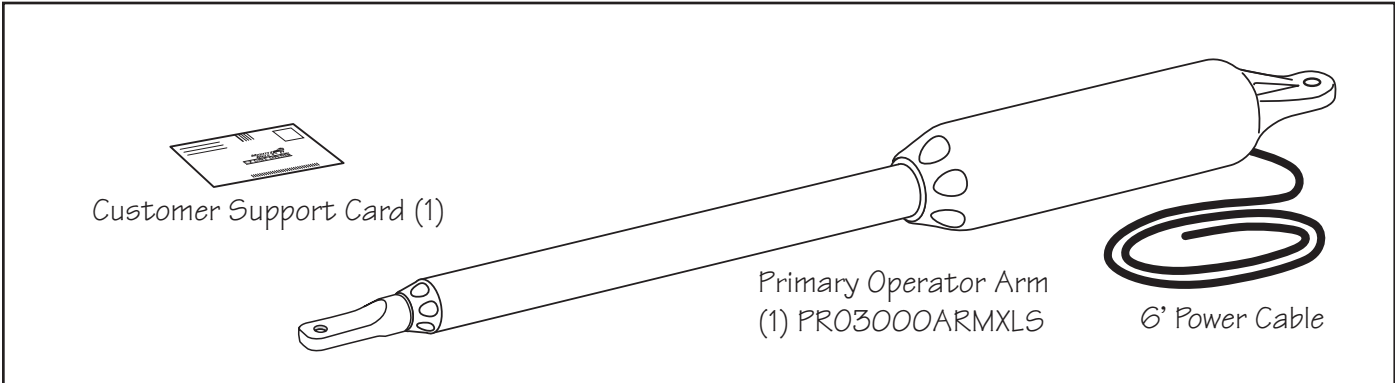
⊕ R4196 Kit Includes:

- ① Ground Rod Clamp
- ② 6 AWG Wire (3 feet)

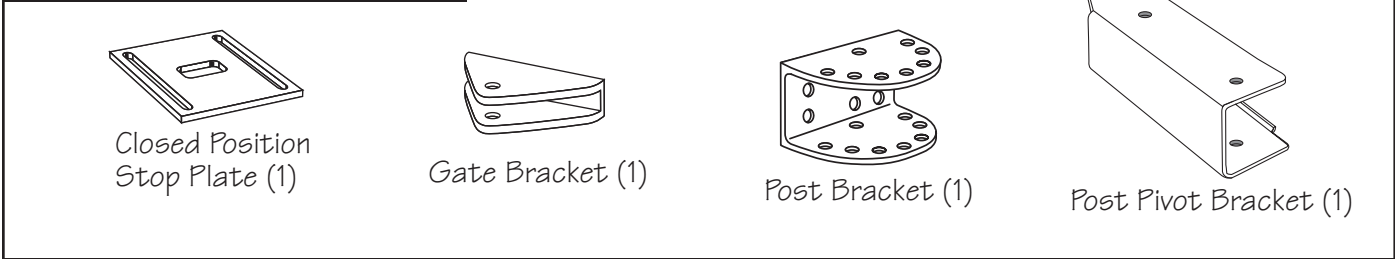
**NOTE:** No grounding system absolutely protects against lightning strikes. If installed correctly, a grounding system will help minimize damage to your gate opener.



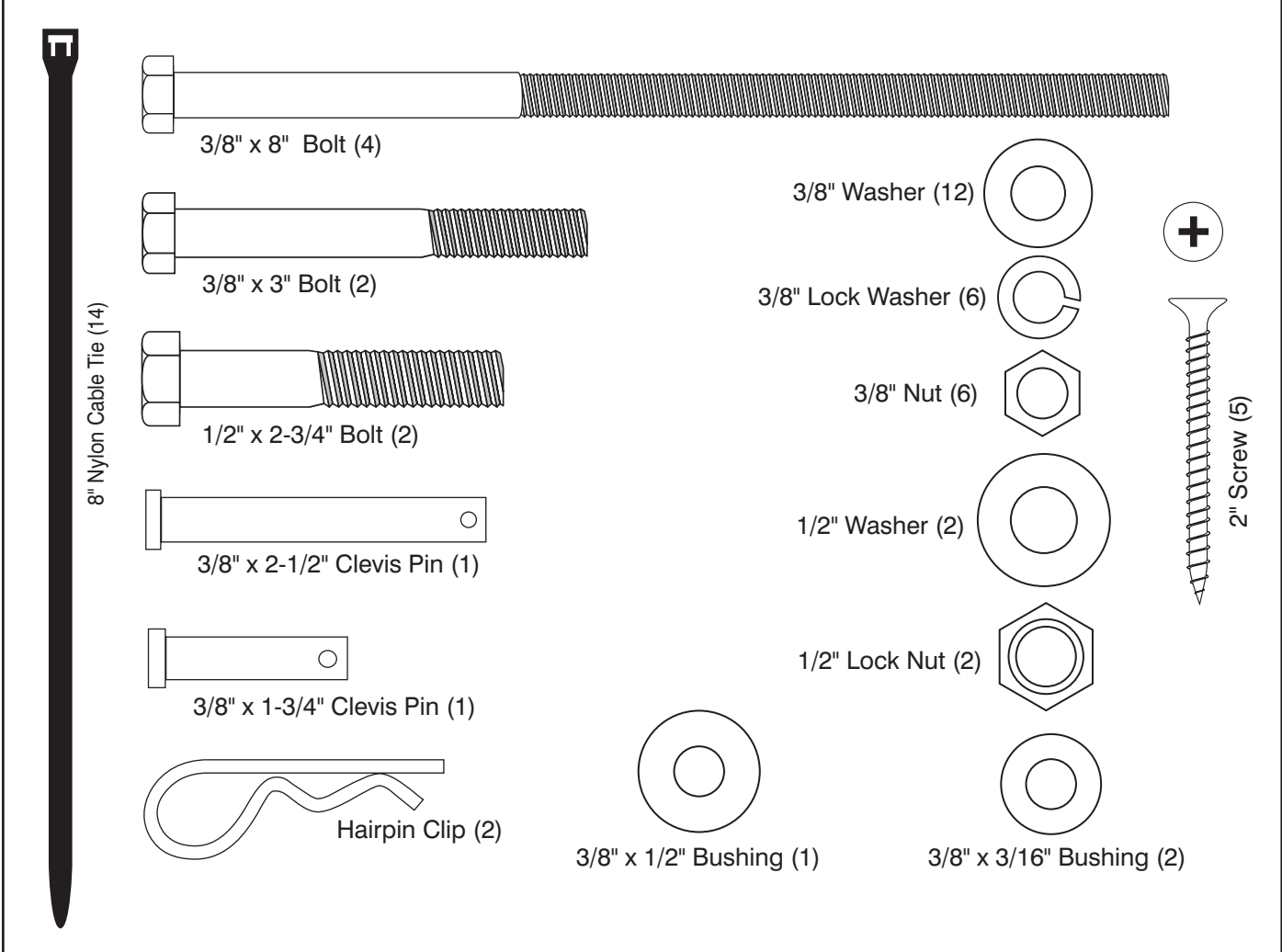
## 5. 3000XLS Parts List

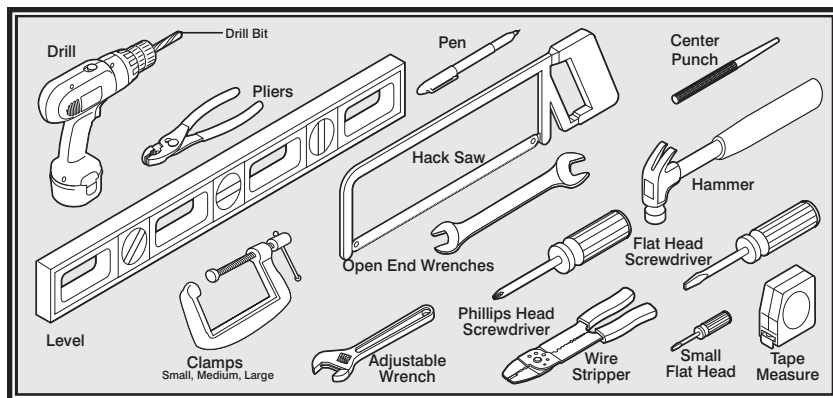
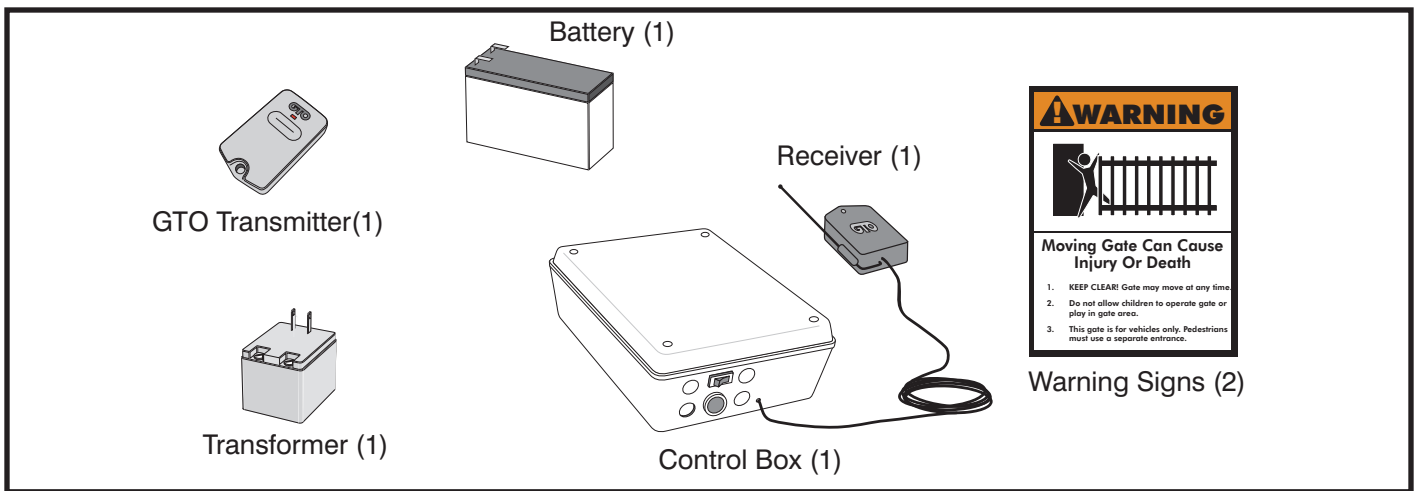


### BRACKET BOX - HB301



### HARDWARE BAG - H301P





## 6. Tools Needed

- Power Drill
- Level
- Wire Strippers
- Open End Wrenches: 9/16" and 3/4"
- Drill Bits: 3/8" and 1/2"
- Hacksaw or Heavy Duty Bolt Cutters
- Small (Flat Head) Screwdriver
- Phillips Screwdriver
- C-Clamps: small, medium, and large
- Adjustable Wrench
- Extra person will be helpful
- Pliers
- Tape Measure
- Center Punch
- Hammer
- Flat Head Screwdriver
- Small Flat Head
- Tape Measure

## 7. Materials You may Need for the Installation:

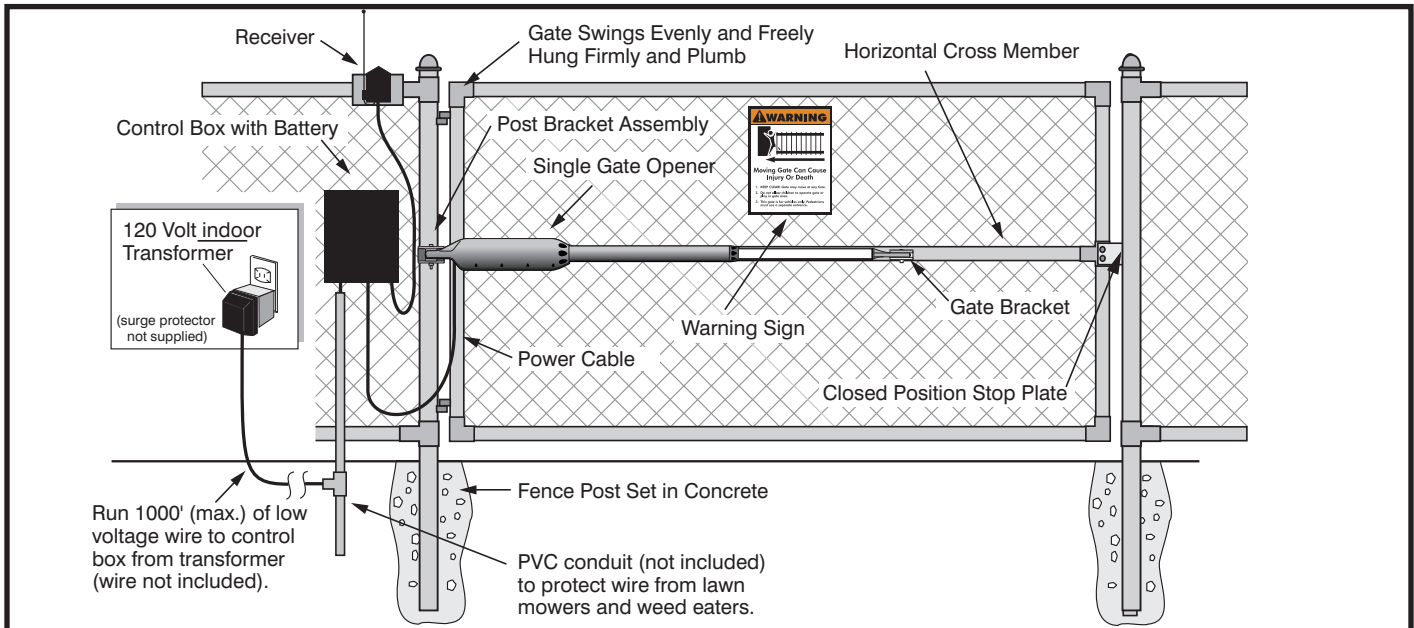
Depending on the type of gate and post, you may need some additional materials/hardware.

- Low voltage wire ☒[RB509]. Length depends upon the distance between the transformer power supply and the control box. (Page 13)
- If the gate is more than 1000' away from an AC power source you will need to use at least one 10 watt Solar Panel ☒[FM123] to trickle charge the battery. (Page 2)
- PVC Conduit. (Page 6)
- The diameter of the post should be at least 6" in order to mount the post bracket. (Page 6)
- Depending upon the diameter of the post, you may need longer bolts than those provided. Bolts should be at least 1" longer than the diameter of the post. (Page 6)
- Metal plate for wooden posts. (Page 6)
- A horizontal or vertical cross member or mounting plate may be needed to mount the operator to the gate. (Page 3)
- Some types of installations require U-Bolts. (Page 10)
- Surge protection for transformer. (Page 15)
- Weatherproof cover for transformer if installed outside. (Page 15)
- For push-to-open applications you must have PTO Bracket ☒[R4388].

## 8. Installation Overview

### Pull-To-Open Gates (Gate Opens into the Property)

The diagram shown below is an example of a Pull-To-Open installation on a chain link fence and single gate. Mounting the operator on a masonry column requires special procedures; see Column Installation Information on page 23. Furthermore, if you have a Push-To-Open gate, see Push-To-Open Installation on page 21 before proceeding.

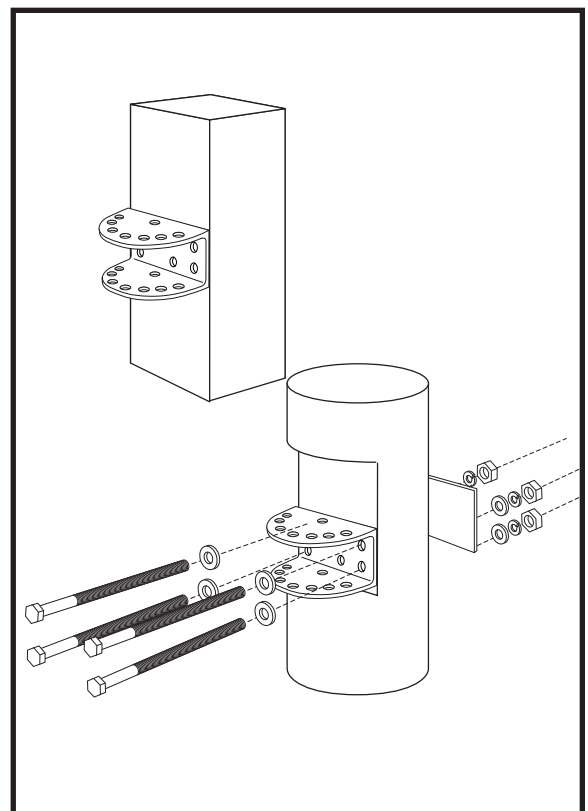


## Install the Operator

### Install the Post Bracket Assembly

The post bracket is designed to work on a flat post. Posts must be at least 6" square in order to bolt the post bracket. When using bolts to mount the post bracket, the bolts must completely penetrate the post.

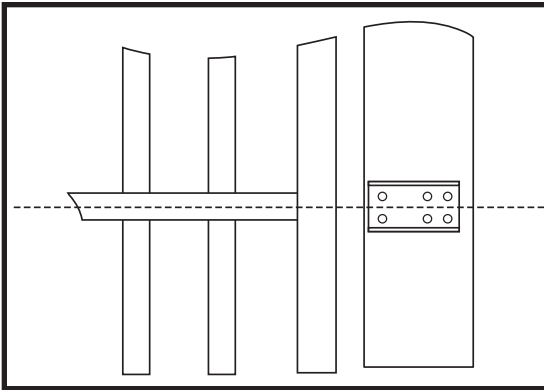
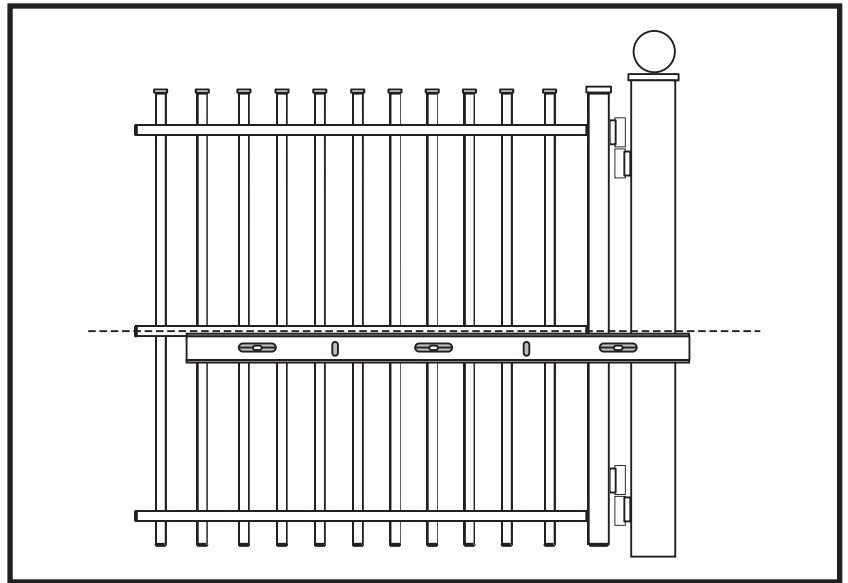
- The best method of attaching the post bracket to a metal post is welding.
- If your post exceeds 8", it will be necessary to use hex head bolts longer than those supplied.
- Round wood posts (no smaller than 8" diameter) may be notched to create a flat surface for attaching the post bracket.
- Wood posts will require a metal plate (not provided) between the nuts and post to prevent the operator from pulling the bolts and washers through the wood.
- A post smaller than 6" in diameter should be made of metal instead of wood so that it will remain stable while the operator is moving the gate.
- Masonry columns will require masonry anchors/hardware (not provided).





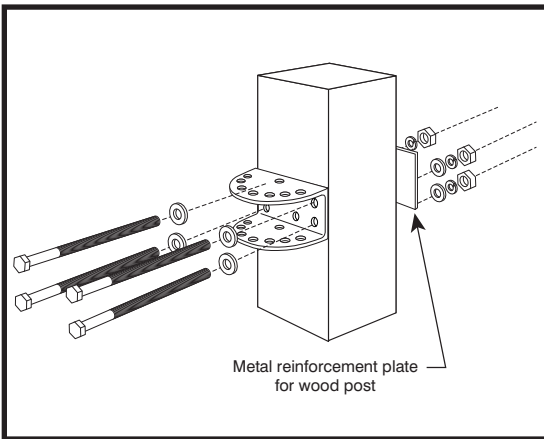
### Step 1:

Close the gate and place your level against the horizontal cross member. Position the level so that the top should be in the center of the cross member and overlaps the post. Scribe a line across the cross member and post. You will use this line to help determine position of post and gate brackets.



### Step 2:

Position the post bracket on the post with the mounting holes centered over the scribe line. The post bracket should be flush with the edge of the post closest to the gate. Mark the position of post bracket holes on the post.

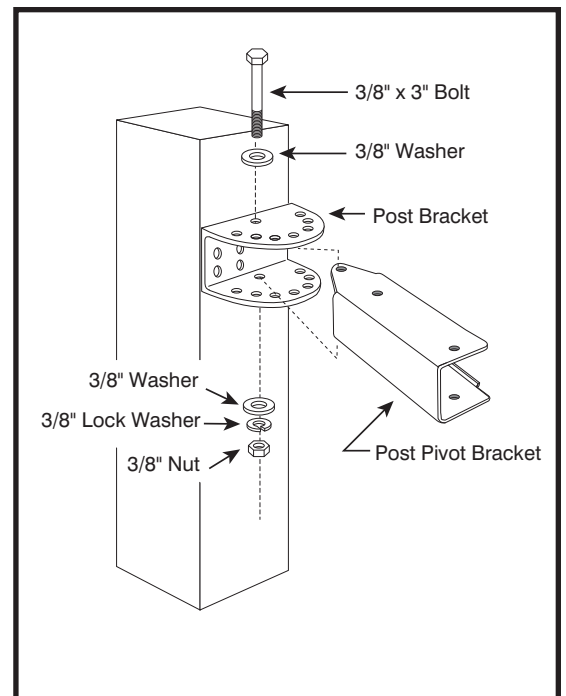


### Step 3:

Drill holes through post as marked using a 3/8" drill bit. Install the post bracket using the four 3/8" x 8" hex head bolts and 3/8" flat washers, lock washers, and nuts (provided).

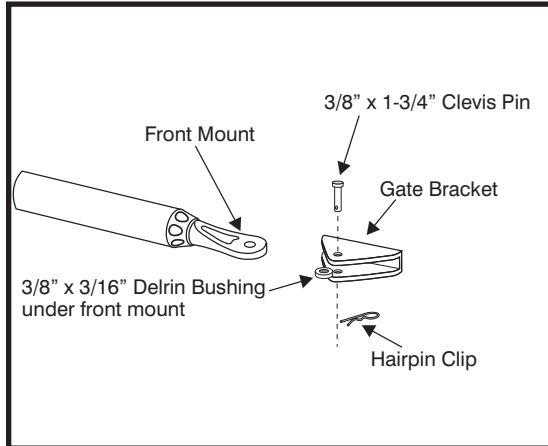
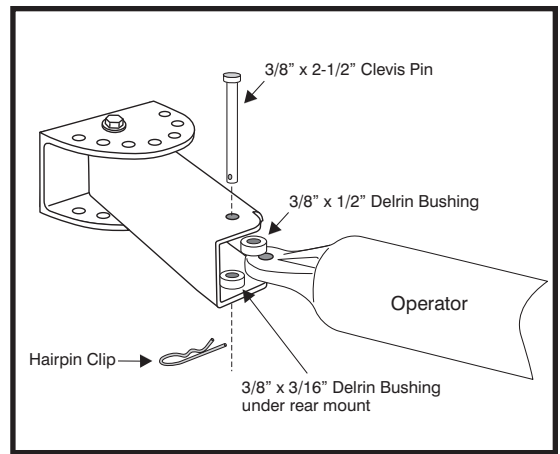
### Step 4:

Place the end of post pivot bracket with two holes inside the post bracket. (Notched end of Post Pivot Bracket should face gate, to accommodate the operator arm.) Align the back hole in the post pivot bracket with back hole in the post bracket. Insert 3/8" x 3" hex head bolt and washer through post pivot bracket and post bracket and secure with 3/8" washer, lock washer and nut.



## Step 5:

Position the operator rear mount between post pivot bracket. Place a  $\frac{1}{2}$ " bushing above the rear mount and a  $\frac{3}{16}$ " bushing under the rear mount. Align the hole in rear mount, bushings and post pivot bracket and secure with the  $2\frac{1}{2}$ " clevis pin and hair pin clip.



## Step 6:

Place a  $\frac{3}{16}$ " bushing under the front mount and attach the gate bracket to the front mount using the  $1\frac{3}{4}$ " clevis pin and hairpin clip.

## Check Clearance

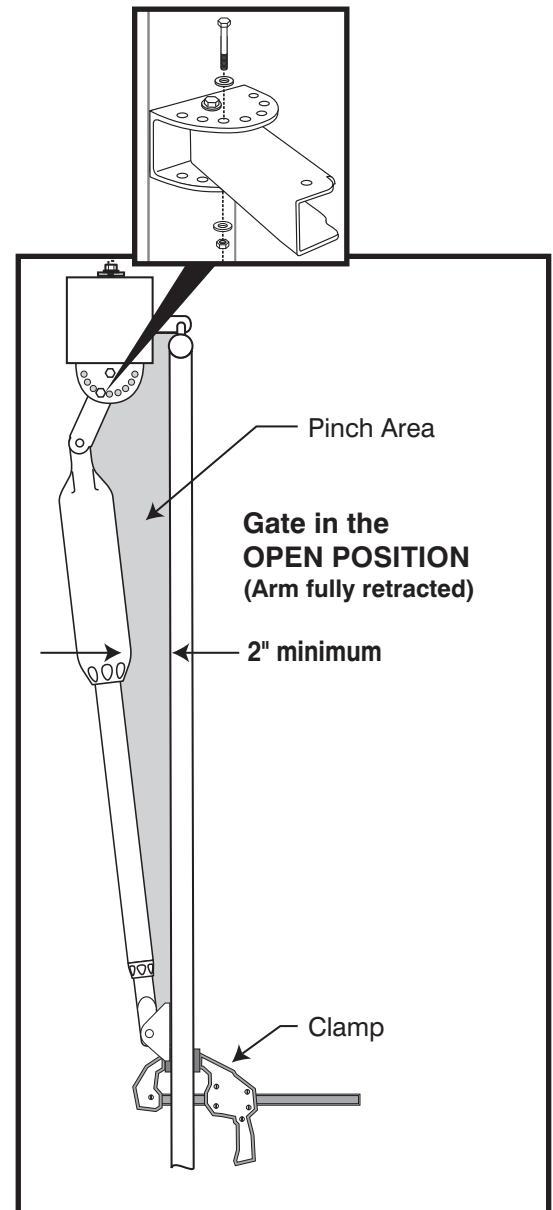
### Step 7:

Open the gate to the desired open position. Position the operator so that the gate bracket rests against the gate along the level scribed line. Check the clearance between the operator and the gate. The operator should only make contact with the gate at the gate bracket. There should be a minimum clearance of 2" between the widest part of the operator arm and the gate.

When you have achieved the best position for the post pivot bracket in the open position, insert the  $\frac{3}{8}$ " x  $3\frac{3}{4}$ " bolt and  $\frac{3}{8}$ " flat washer through the aligned holes of the post bracket and post pivot bracket to hold it in place.

Clamp the gate bracket to the gate using c-clamps or another type of clamp.

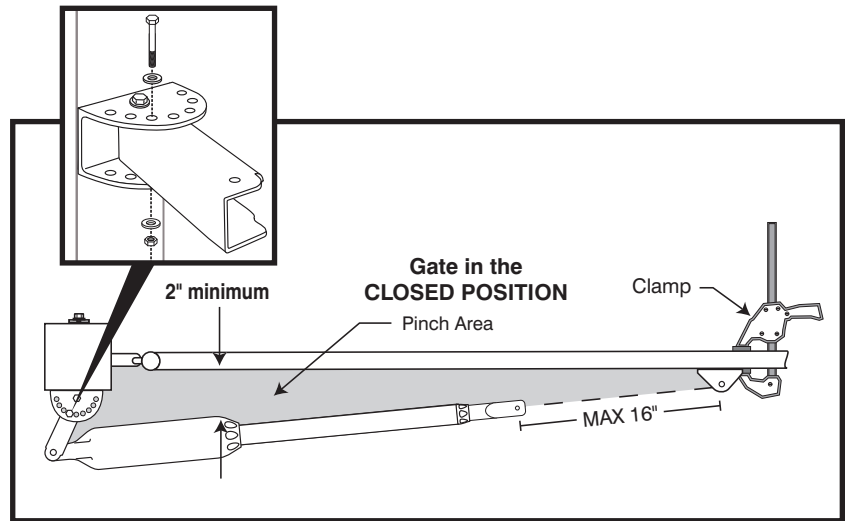
**IMPORTANT:** While determining the position of the post pivot bracket, be sure that the position allows for minimum 2" of clearance between the gate and the operator in both the open and closed positions. This clearance will give the operator the most efficient leverage point for opening and closing the gate and, more importantly, provides the least possible pinch area.



## Step 8

Remove the clevis pin from the front mount and while supporting the gate operator, swing the gate and gate operator to the closed position. With the gate and gate operator in the closed position check the clearance and be sure that the gate operator is not binding at the post pivot bracket.

If you don't have 2" clearance or the gate operator is binding on the post pivot bracket, remove the bolt in the post bracket and readjust the pivot bracket until you can achieve the proper clearance.

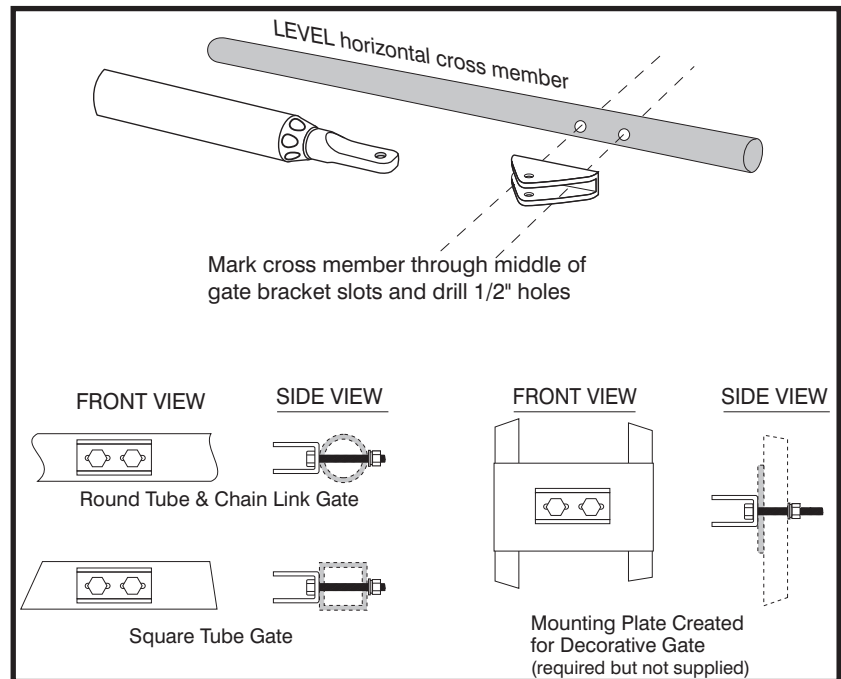


With the post pivot bracket in the optimum position for clearance and freedom of movement, replace the bolt in a post bracket adjustment hole and secure with washer, lock washer and nut. Return the operator to the open position and reattach the gate bracket. Recheck the gate operator level and clearance in the open position. Adjustment of the gate bracket will be necessary if the post bracket was moved. After verifying clearance, make sure the gate bracket is clamped securely.

## Install Gate Bracket

### Step 9

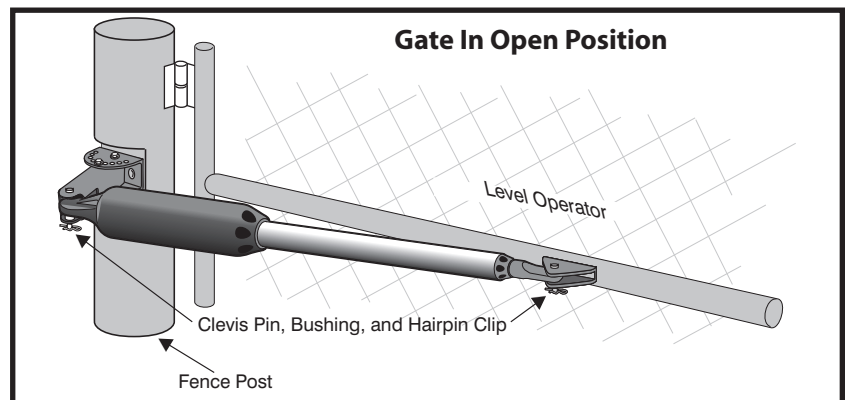
Detach the front mount from the gate bracket. Check that the gate bracket holes are centered over the scribe line. Mark the gate in the center of the gate bracket holes. Remove the gate bracket and drill the 1/2" holes through the gate cross member and attach the gate bracket using the 1/2" x 2 3/4" bolts, washers and lock nuts.



## Attach Operator

### Step 10

Make sure the gate is in the open position and the operator arm is fully retracted. Attach the operator to the securely bolted post bracket assembly and gate bracket using clevis pins, bushings, and hairpin clips, or optional Pin Lock [FM345]. Verify that the operator is level, bolts are tight, and adjust the post bracket assembly if necessary.



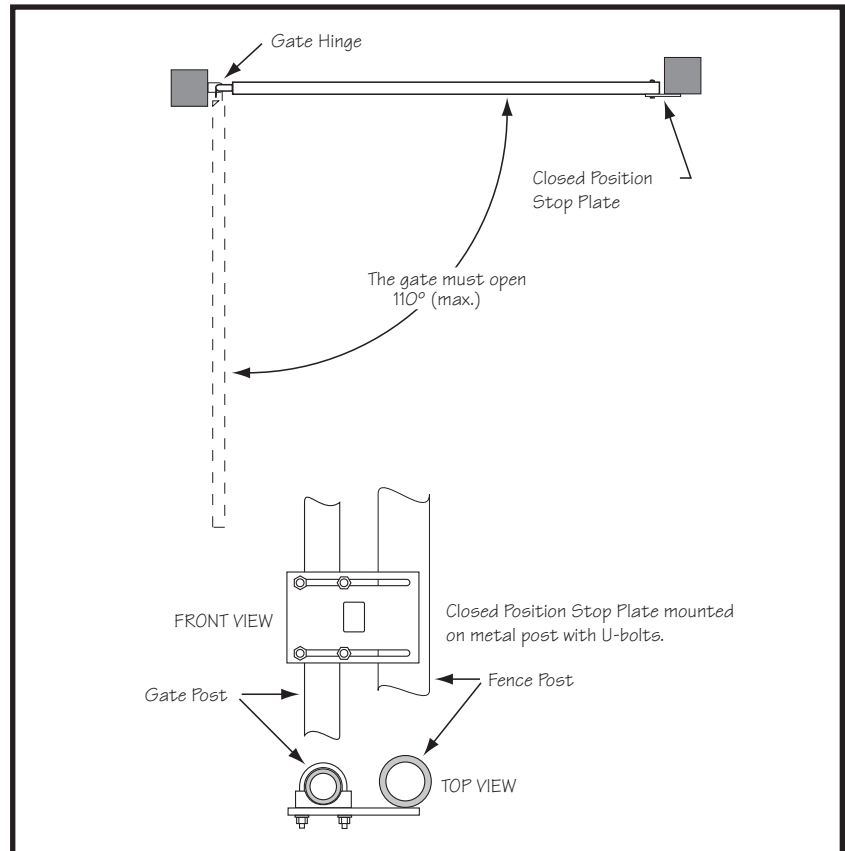
## Install Closed Position Stop Plate

The closed position stop plate helps to stabilize the gate leaf in the closed position. To further enhance the stability and security of your gate, install the optional GTO Automatic Gate Lock **⊕**[FM144]

### Step 11

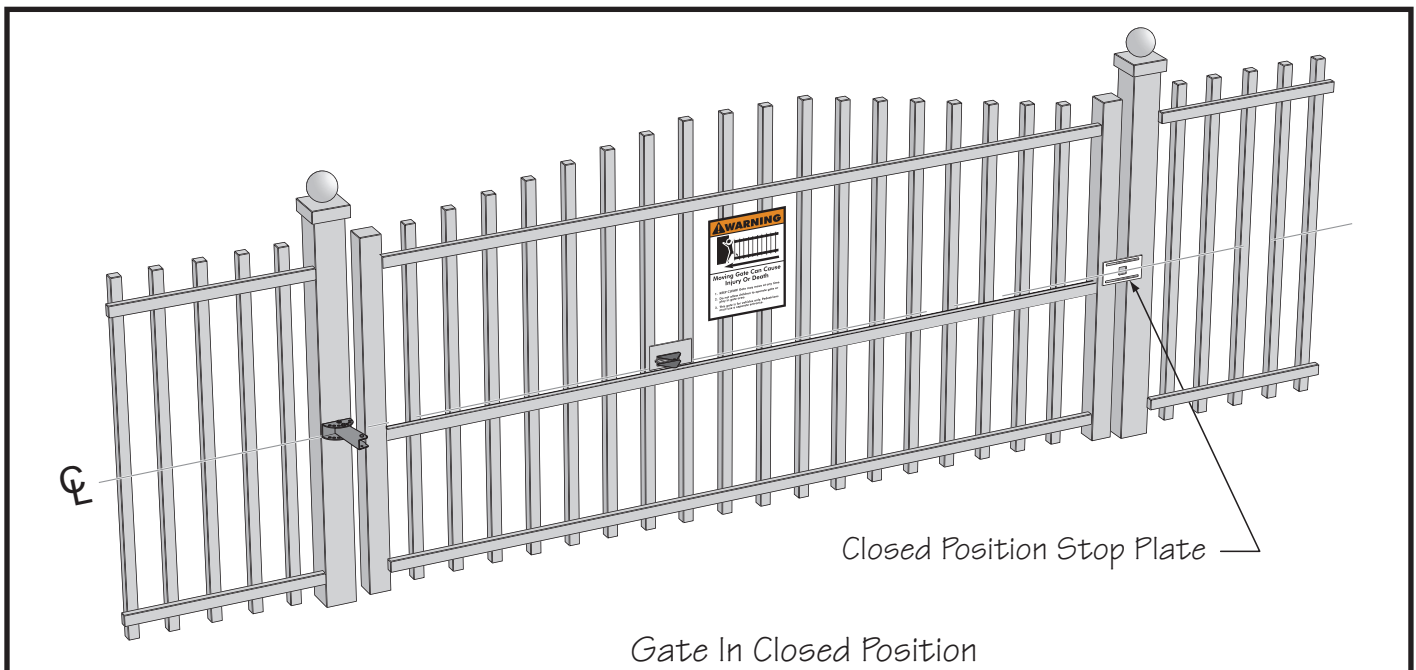
Remove hairpin, clevis pin, and 3/16" bushing from front mount and close the gate. Fasten the closed position stop plate to the end of the gate frame on the gate center-line (in line with the operator arm), but do not tighten it completely. Slide the closed position stop plate toward the post until they touch. Once you have moved the closed position stop plate to the correct position, tighten its hardware completely.

Use the appropriate hardware for your type of gate (U-bolts for tube or chain link gate; wood or lag screws for wood gates, etc.). This hardware is not provided.



### Step 12

Return gate to the open position and reattach operator to gate.



# Mount the Control Box and Receiver

## Step 1

Mount the control box using the screws (provided) or another secure mounting method. The control box must be mounted at least 3 feet above the ground to protect it from rain splash, snow, etc., and at least 3 feet from an AC power source to prevent electrical interference.

## Step 2

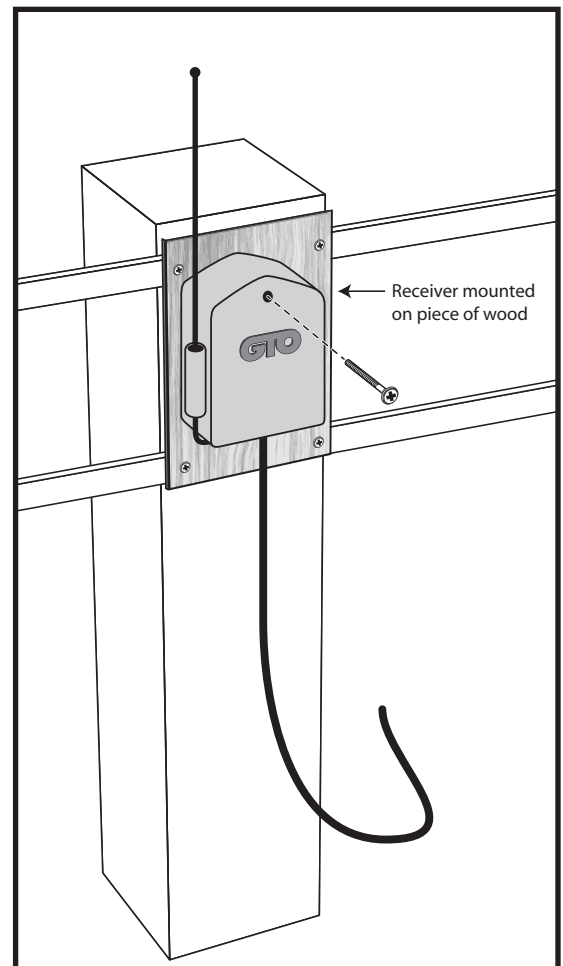
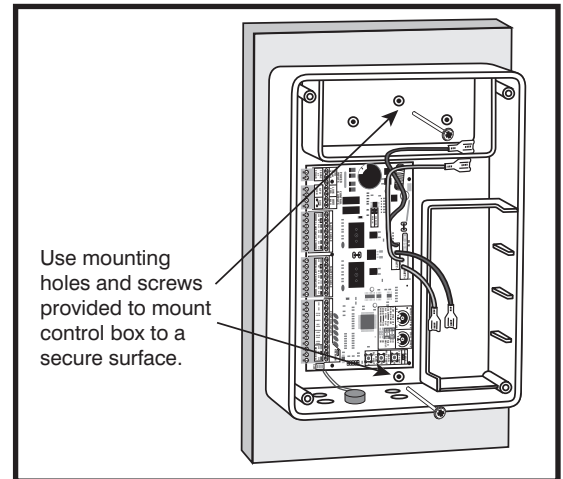
Temporarily mount the receiver at this time. You will need to use the transmitter (page 17) to check the range of the receiver *before permanently mounting* it. You may have to try different locations before permanently mounting the receiver. The receiver range can vary from 50 to 100 feet depending upon weather, topography, and external interference.

### Mount the receiver:

- Ensuring a line-of-sight between transmitter and antenna.
- At least 3 feet away from AC voltage.
- As high as possible for optimum range.
- DO NOT mount receiver upside down.
- DO NOT mount receiver on metal fence or post (this will decrease signal range). If attaching receiver to metal fence, you should mount receiver on a piece of wood attached to the fence (see illustration).

### The receiver cable:

- Cable length is 10 ft. (receivers with longer cables are available as special order items; call the GTO Sales Department).
- NEVER splice receiver cable!
- Run the receiver cable through PVC conduit to protect it from damage.
- DO NOT run cable in conduit containing AC wiring.



This device complies with FCC rules Part 15. Operation is subject to the following conditions:

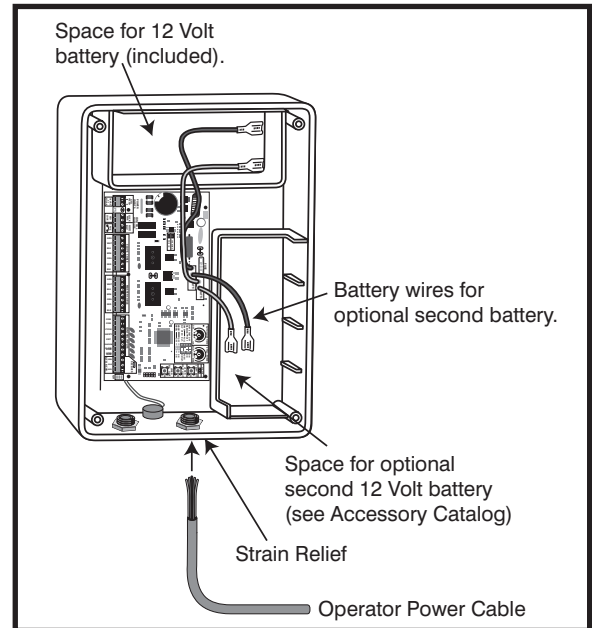
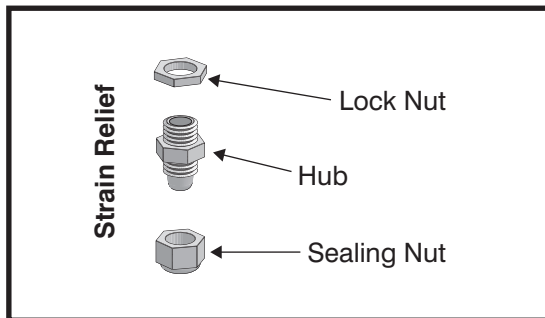
1. This device may not cause harmful interference.
2. This device must accept an interference that may cause undesired operation.

Transmitter distance may vary due to circumstances beyond our control. NOTE: The manufacturer is not responsible for any radio or TV interference caused by unauthorized modifications to this equipment. Such modifications could void the user's authority to operate the equipment.

# Connect Operator Power Cable

## Step 1

Loosen sealing nut on strain relief hub at bottom of control box. Insert power cable into control box through strain relief. Thread approximately 6" of the power cable into the control box and retighten sealing nut until the power cable locks into place.



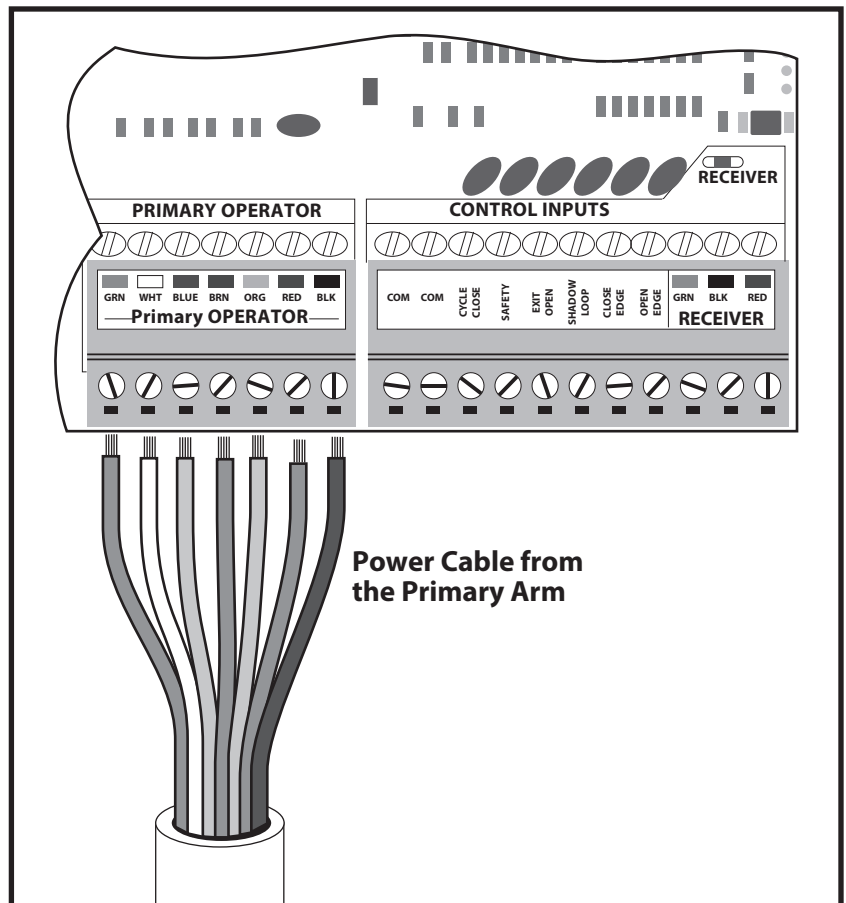
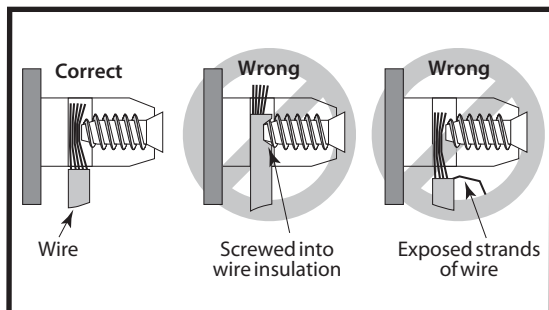
## Step 2

Insert the stripped power cable wires into the appropriate terminals on the PRIMARY OPERATOR terminal block. Insert the green wire into the GRN terminal, white wire into WHT, blue wire into BLUE, brown wire into BRN, orange wire into ORG, red wire into RED, black wire into the BLK.

Tighten the set screws against the end of the wires.

**NEVER SPLICE WIRES.**

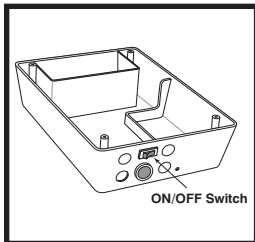
Splicing permits corrosion and seriously degrades the wire's ability to carry an adequate current.



# Connect the Power Input

## IMPORTANT:

- The transformer is designed and intended for indoor use. If the transformer can only be plugged into an outside electrical outlet, a weatherproof cover/housing (available at local electrical supply stores) must be used.
- The only wire acceptable for use with GTO products is 16 gauge stranded, low voltage, direct burial wire [RB509]. This gauge enables the transformer to provide an adequate charge through the control board to the battery at distances up to 1000 ft.
- DO NOT use telephone wire or solid wire.
- NEVER SPLICE WIRES. Splicing permits corrosion and seriously degrades the wire's ability to carry an adequate current.
- **NEVER USE TRANSFORMER AND SOLAR PANEL(S) AT THE SAME TIME! Doing so will damage the control board.**
- If your gate is more than 1000 ft. from an AC power source, you will need to use at least 10 watts solar charging power [FM122/FM123] to charge the battery. Refer to the Solar Panels and Gate Activity Chart on page 2.



## Step 1

Make sure the control box power switch is OFF.

## Step 2

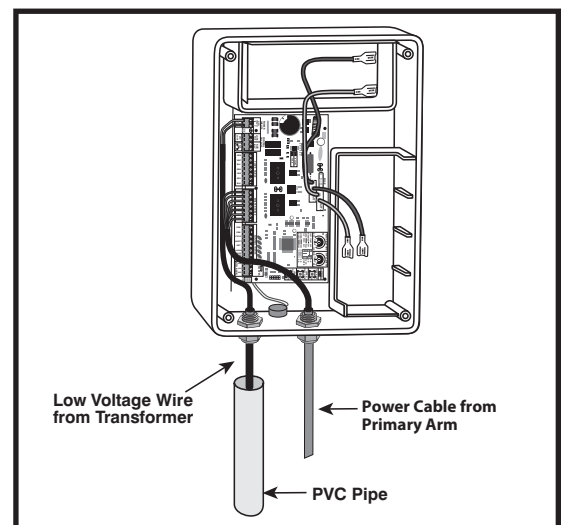
Select the electrical outlet into which you will plug the transformer. Measure the distance from this outlet to the control box following the path where the wire will be laid (allow for an additional 6" to be pulled into the control box).

## Step 3

Lay the low voltage wire in a trench following a path from the selected electrical outlet to the control box. Wires coming up from the ground should be run through PVC conduit to protect them from lawn mower blades, weed eaters, and grazing animals. Bury the wire in the trench.

## Step 4

Feed the low voltage wires upward through the strain relief opening on the lower left of the control box. Pull 6" to 8" of wire into the control box.

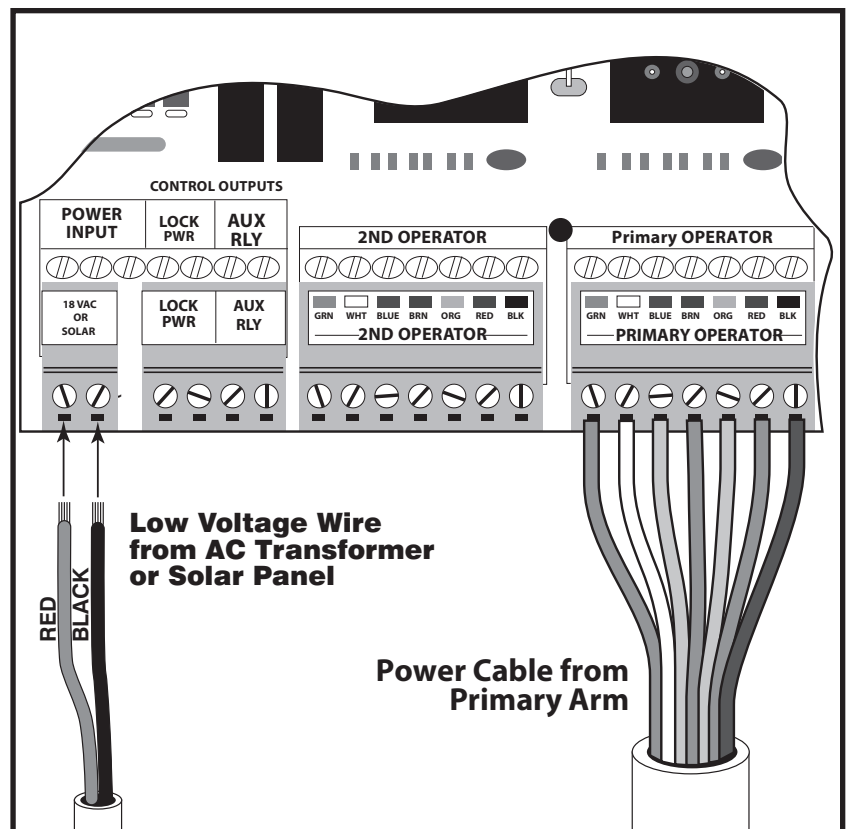
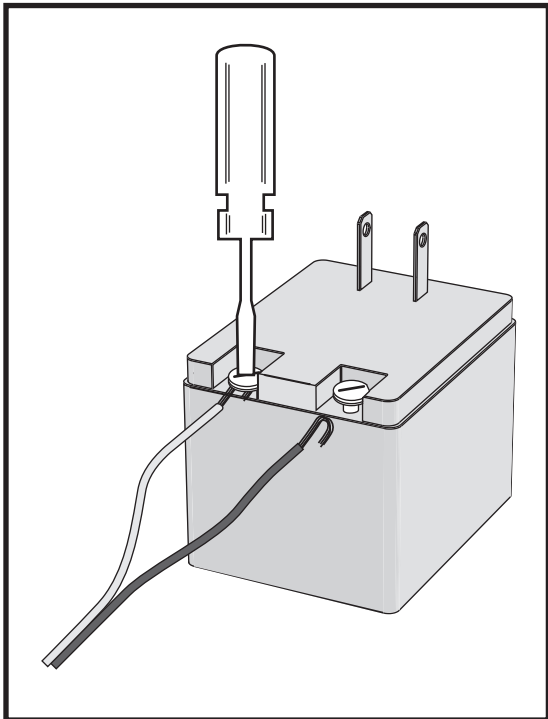


## Step 5

Strip the ends of the low voltage wire and twist tightly. Attach these ends to the 18 VAC OR SOLAR terminals located on the POWER INPUTS terminal block. **Be certain not to let the exposed wires touch each other!**

Insert one transformer wire into an 18 VAC OR SOLAR terminal. Insert the other transformer wire into the remaining 18 VAC OR SOLAR terminal. The transformer wires can be connected to the 18 VAC OR SOLAR terminals regardless of color/polarity.

Tighten set screws against exposed end of wires.



## Step 6

At the transformer, strip 1/2" of insulation from the ends of the low voltage wire. Attach wires to the transformer terminals.

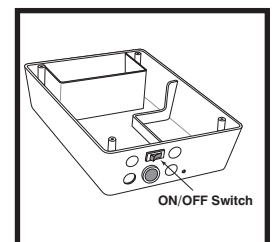
**Make sure the exposed wires do not touch each other!**

**DO NOT PLUG THE TRANSFORMER INTO AN OUTLET DURING THIS STEP! THE TRANSFORMER MUST ONLY BE PLUGGED INTO AN OUTLET DURING STEP 3 (page 15)!**

# Connect Battery

## Step 1

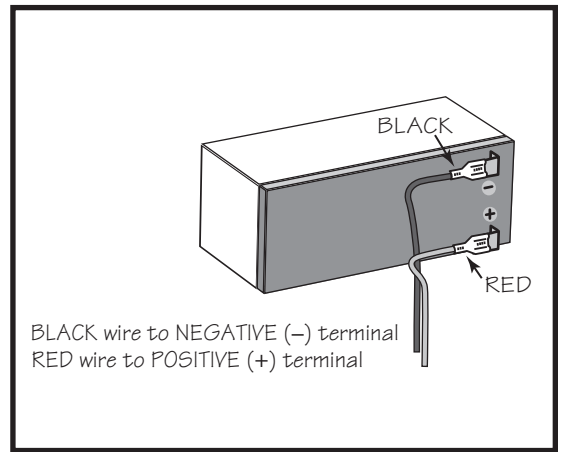
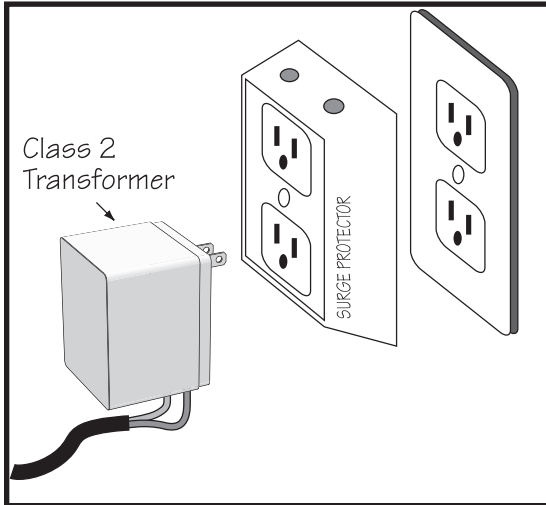
Make sure the control box power switch is OFF. Remove the control box cover and slide the battery into position (terminals to the right).





## Step 2

**IMPORTANT:** Connect the BLACK battery wire to the NEGATIVE (-) battery terminal. Connect the RED battery wire to the POSITIVE (+) terminal. **Reverse connection of battery wires will damage the control board.**



## Step 3

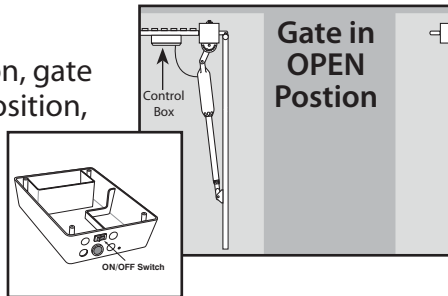
Plug the transformer into the electrical outlet. (Use of a surge protector with the transformer is strongly recommended.) **IMPORTANT:** This is a class II indoor transformer; if using transformer outdoors be sure to enclose it in a weatherproof case.

# Control Board Settings

## Set Closed Position Limit (for Pull-To-Open Applications)

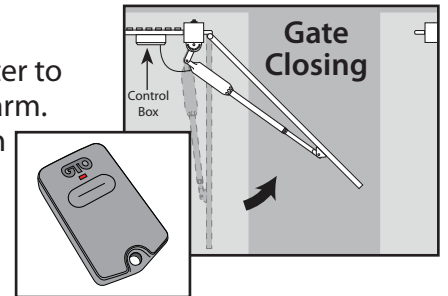
### Step 1

Power switch is on, gate is in the **OPEN** position, operator arm fully retracted.



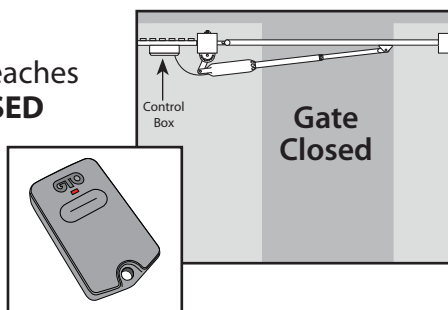
### Step 2

Press the transmitter to activate operator arm. The gate will begin to **CLOSE**.



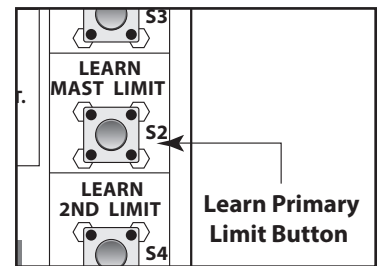
### Step 3

When the gate reaches the desired **CLOSED** position, press the transmitter to stop the gate.



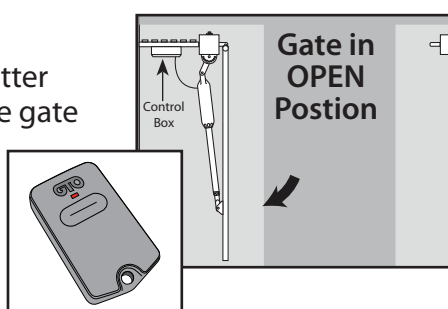
### Step 4

With the gate at the correct position, program the closed limit setting by pressing and holding LEARN MAST LIMIT.



### Step 5

Press the transmitter again to allow the gate to return to the fully **OPEN** position.



The gate closed position is now programmed. If you make a mistake and set the limit at the wrong position: press your transmitter to return the gate to the fully opened position, then press and hold the LEARN MAST LIMIT button for 5 seconds. This will clear the memory for the closed limit position. Repeat Steps 1-5.

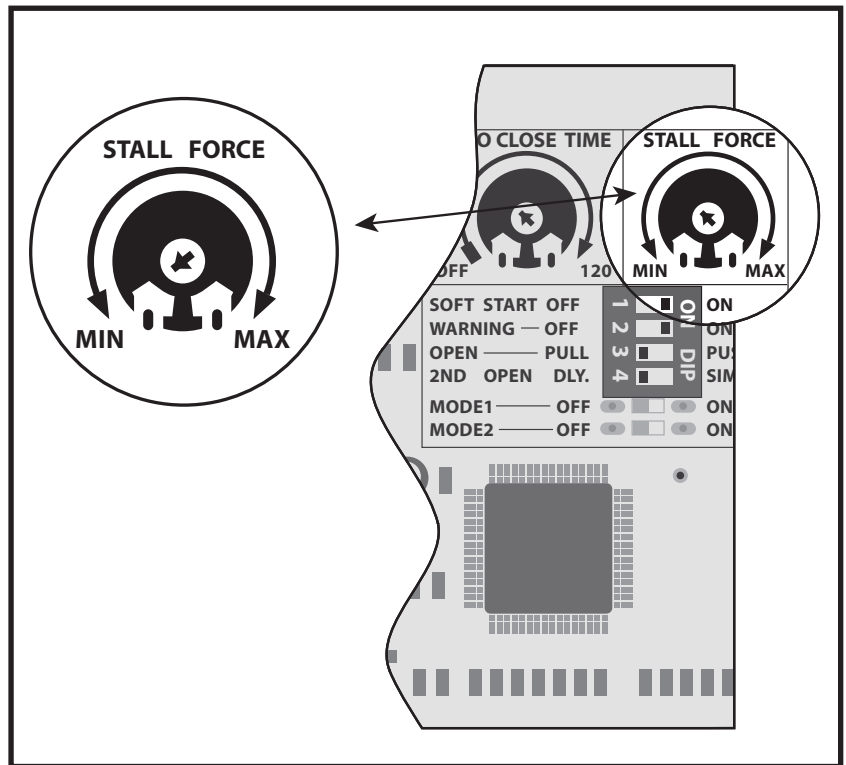
## Adjust the Stall Force Setting

The Stall Force potentiometer on the control board controls the obstruction sensitivity (or the amount of force the operator will apply to an obstruction for two (2) seconds before it automatically stops and reverses direction).

**IMPORTANT:** For safety reasons the stall force setting will need to be adjusted for your particular application.

The Stall Force potentiometer on the control board operates like a volume control on a radio. Use a small flat blade screwdriver to adjust the potentiometer. Adjust the stall force from the MIN position until the gate operates smoothly without obstructing from its own weight or wind conditions.

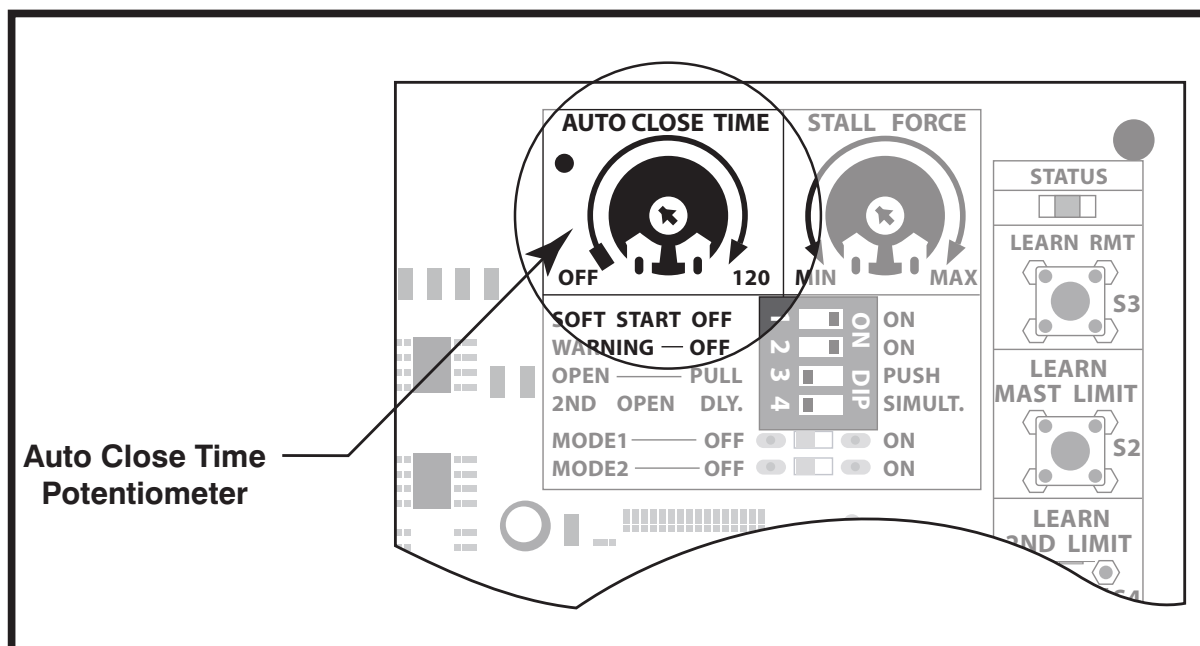
**NOTE:** you may need to increase the stall force in cold temperatures due to increased resistance from gate hinges.



## Set Auto Close Time

The Auto-Close Time potentiometer controls the Auto-Close feature, and determines how long the gate will remain open (at the fully open position) before it begins to close. The settings for this feature are OFF, or from 3 to 120 seconds.

Adjust the Auto-Close potentiometer by using a small flat blade screwdriver.



# Program Your Personal Transmitter Setting

All GTO transmitters are set to a standard code at the factory and are ready to operate your GTO gate operator. For your safety and security, **we strongly recommend** that you replace the factory setting with your own personal setting. Follow the directions below:

NOTE: If you have multiple transmitters, you should adjust all of them at this time. ☺ [RB741/RB742/RB743].

## Step 1

Use a small phillips head screw driver to remove the transmitter cover.

## Step 2

Set the transmitter DIP switches using a small screwdriver. There are nine (9) switches; each can be placed in three different positions (+, 0, -). **DO NOT** set all the switches in the same position, such as all +, all 0, or all -. Once the DIP switches have been reset, replace and close the access cover.

WARNING: No other adjustments should be made inside the transmitter.

## Step 3

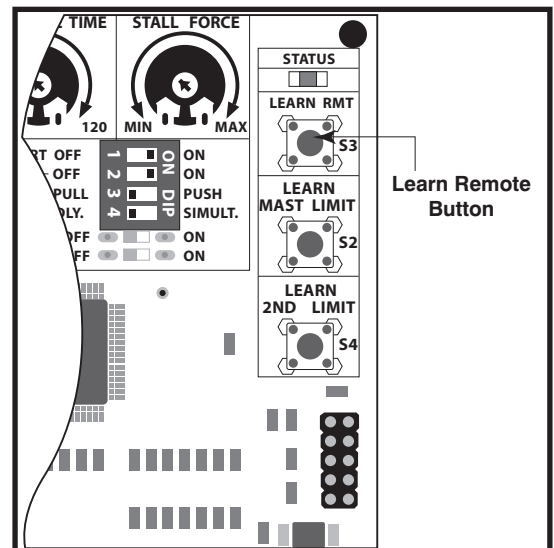
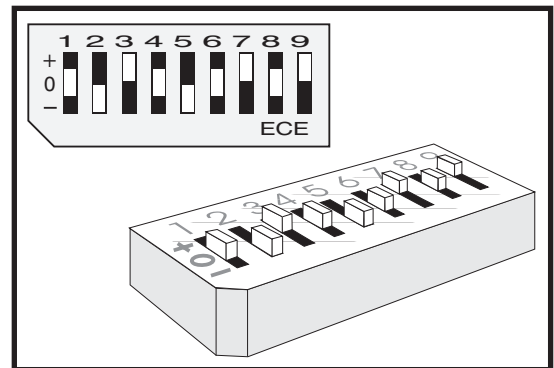
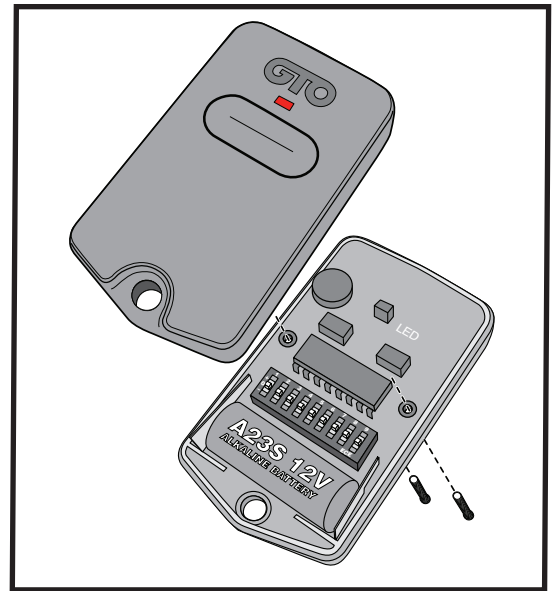
Program the new setting into the control board:

- Press and hold transmitter button.
- Press and hold the LEARN RMT (Learn Remote) button on the control board until the alarm sounds.
- Release transmitter button. The new code is stored in control board memory.
- Release the LEARN RMT (Learn Remote) button.

NOTE: If you have purchased additional transmitters, program the settings for all at this time.

## Step 4

**AT THIS POINT YOU SHOULD TEST RECEIVER RANGE BEFORE PERMANENTLY INSTALLING IT.**



The Troubleshooting Wizard has detailed information this and other installations.

**24/7 Troubleshooting Wizard: <http://support.gtoinc.com>**

# DIP Switch Settings

## DIP Switches

DIP Switch Settings (MODES)

### DIP Switch #1: Soft Start/Stop

ON– Soft start enabled (factory preset).

OFF– Soft start disabled.

The Soft Start/Stop feature slowly starts the gate as it begins to open and slows the gate as it comes to the closed position. This saves wear and tear on the gate and gate operator system.

### DIP Switch #2: Warning Buzzer

ON– Buzzer warning enabled (factory preset).

OFF– Buzzer warning disabled.

The Warning Buzzer alerts you when the gate operator is beginning to either open or close the gate. It sounds for the first 2 seconds in each direction. It also sounds a warning when the gate obstructs two times in one cycle. Switching this to OFF only disables the open and close warning not the obstruction warning.

### DIP Switch #3: Push/Pull-To-Open

ON: Push-To-Open.

OFF: Pull-To-Open (factory preset).

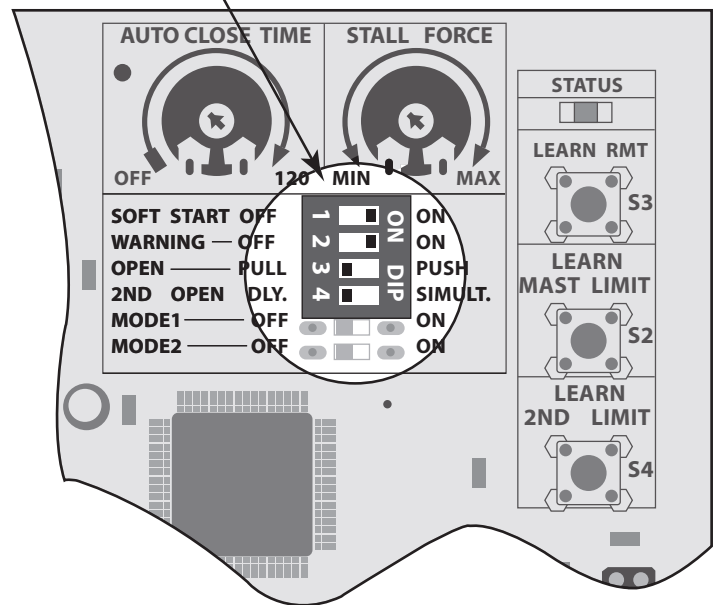
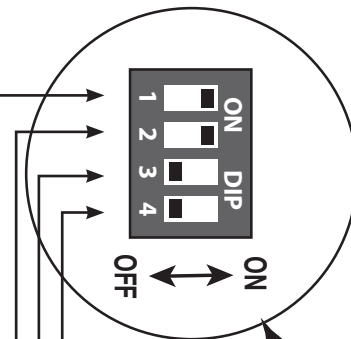
If your gate opens into the property the DIP Switch is set to the OFF position (factory setting). If your gate opens out from the property the DIP Switch must be set to the ON position. NOTE: if you have a Push-to-Open gate application you will need a Push-To-Open bracket (see Push-To-Open Instructions on page 21).

### DIP Switch #4: Dual Operation

ON– Second opens simultaneously with primary.

OFF– Second opens after primary (factory preset).

Note: Not applicable for single gate operator.



# Connecting Accessories

## Input Connections

- All control inputs are dry-contact, normally open, inputs. DO NOT apply external voltage sources to these inputs.
- All inputs are connected with respect to COMMON terminal.
- The status LED will blink once when its corresponding input is activated.

- 1 COM:** Circuit common (reference for all logic input)
  - Two (2) terminals to provide extra common connection point.

- 2 CYCLE/CLOSE:** (Typically for use with push button or hard-wired keypad)
  - Each activation at this input will cycle the operation as follows: OPEN–STOP–CLOSE–STOP–OPEN

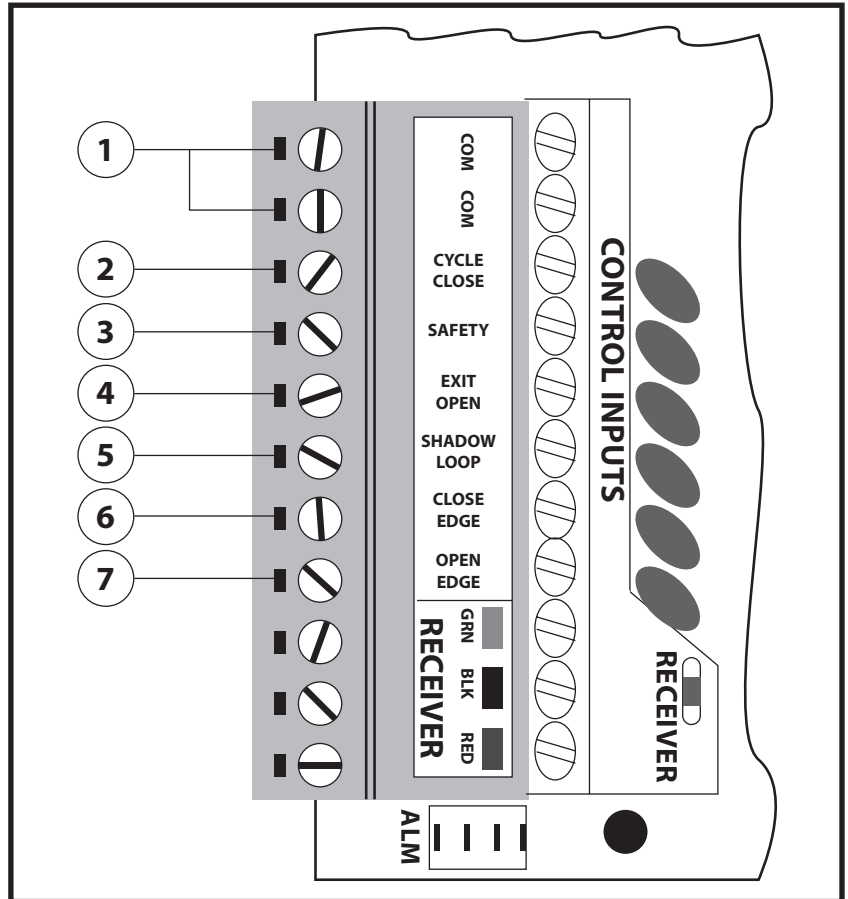
- 3 SAFETY:** (Typically for use with photo beam device, loop detector or other non-contact sensors)
  - Activation of this input while the gate is closing will cause the gate to stop and return to the opened position.
  - Activation of this input while the gate is opening has no effect (gate will continue to open).
  - Activation of this input while gate is idle will prevent gate from closing.

- 4 EXIT/OPEN:** (Typically for use with exit loop or wand)
  - Activation of this input will open the gate if it's not already at the open position
  - Activation of this input while at open limit will restart the auto close time (if enabled).
  - Activation of this input while gate at the fully open position will prevent gate from closing.

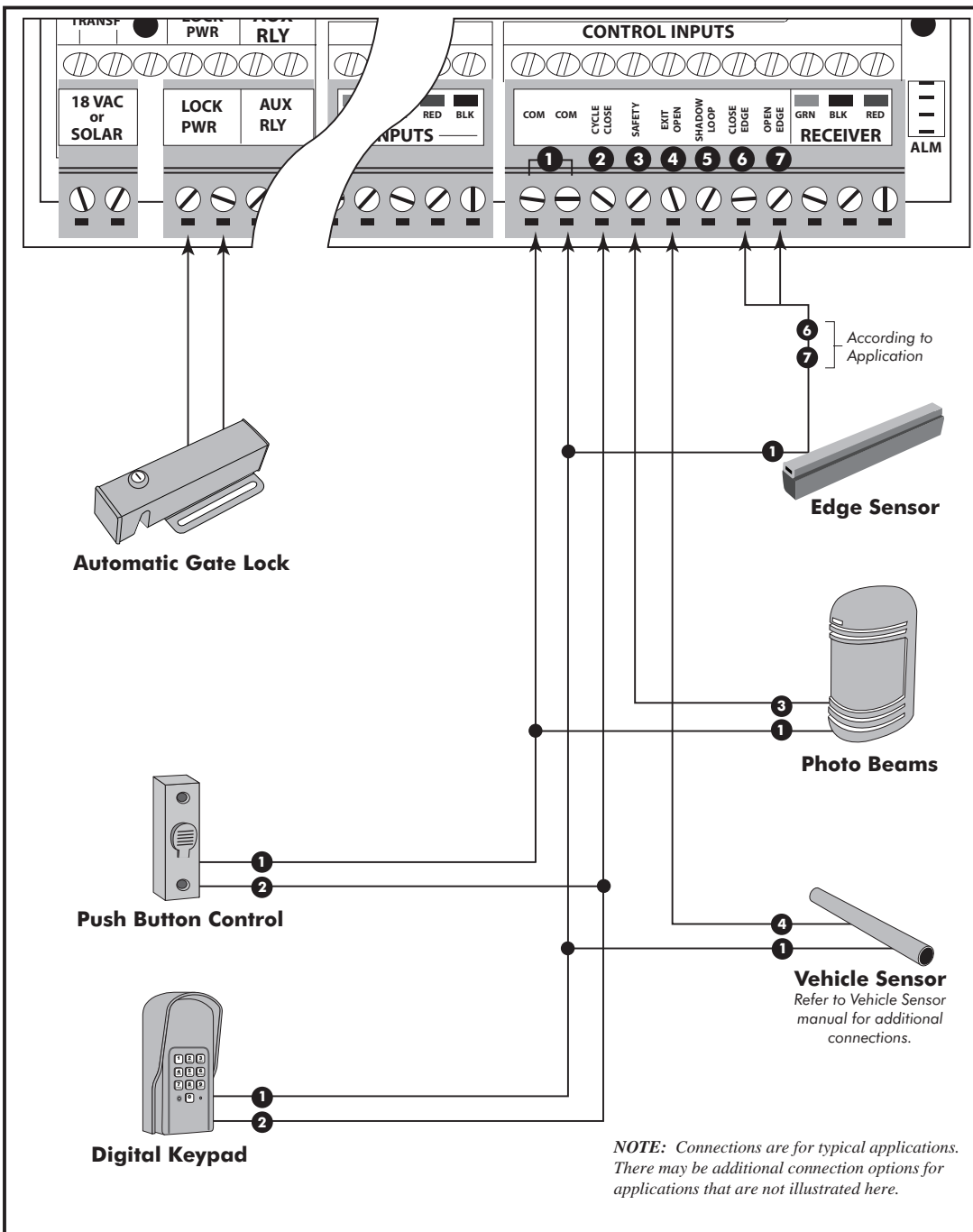
- 5 SHADOW LOOP:** (Typically for use with loop detector)
  - This input is only monitored when the gate is at the fully open position. At any other position, activation of this input has no effect on gate operation.
  - Activation of this input while gate at the fully open position will prevent gate from closing.

- 6 CLOSE EDGE:** (Typically for use with safety edge device)
  - Activation of this input while the gate is closing will cause the gate to stop and reverse direction for approximately 2 seconds.
  - Activation of this input while the gate is opening has no effect (gate will continue to open).
  - Activation of this input while gate is idle will prevent gate from closing.

- 7 OPEN EDGE:** (Typically for use with safety edge device)
  - Activation of this input while the gate is opening will cause the gate to stop and reverse direction for approximately 2 seconds.
  - Activation of this input while the gate is closing has no effect (gate will continue to close).
  - Activation of this input while gate is idle will prevent gate from opening.

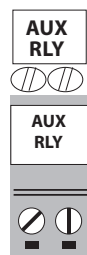


# Wiring Accesories




## Connecting Other Auxiliary Devices (Sirens, Lights, etc.)

- These 2 terminals are normally open "dry-contact" (no voltage) relay output.
- Relay is closed when the gate is in motion; Relay is open when the gate is not in motion.
- These 2 terminals maximum rating is 24Vdc, 1 Amp.



# Push-To-Open Installation Information


**Swinging gates shall not open into public access areas!**

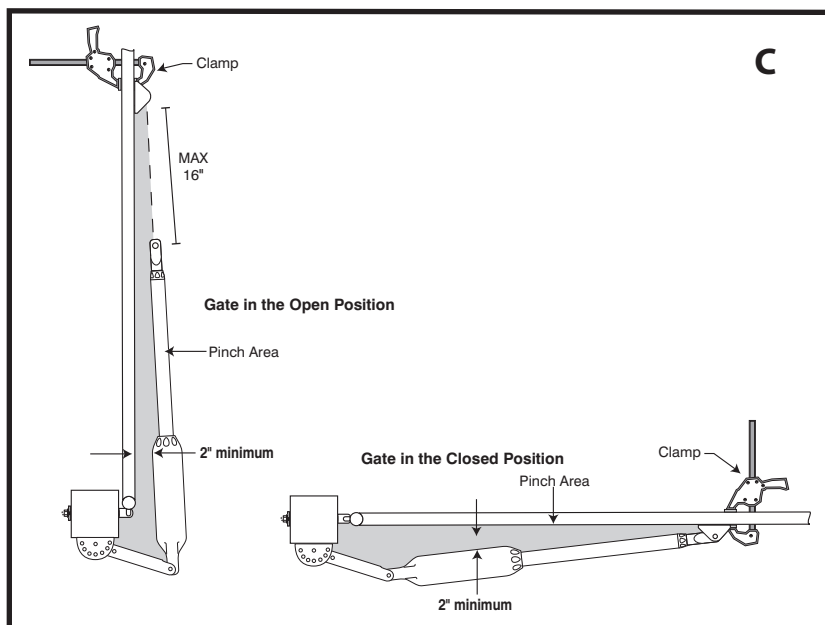
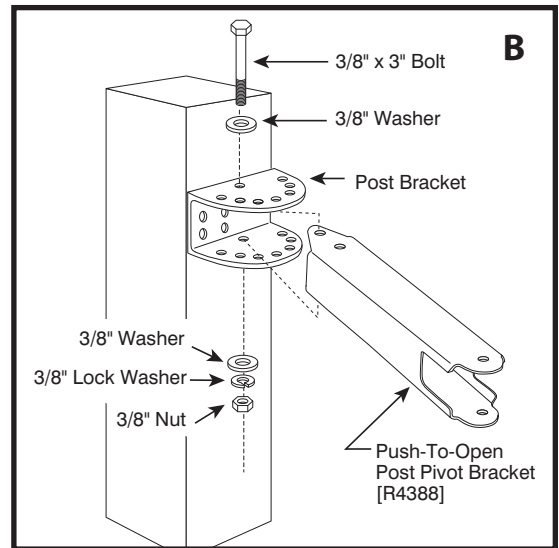
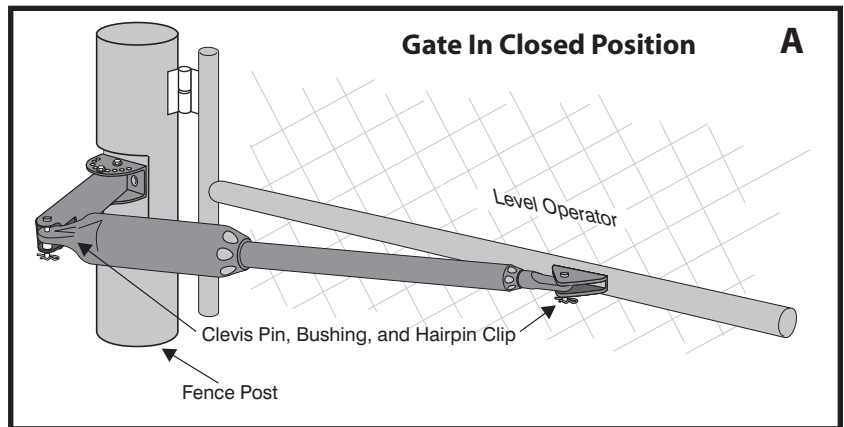
A "Push-to-Open" gate opens out from the property (operator arm extends to open the gate). A Push-To-Open installation requires the purchase of a Push-To-Open Bracket  [R4388].

**In a Push-To-Open installation the operator is installed while the gate is in the CLOSED POSITION.**

## Install the Operator

Follow directions for installing the 3000XLS beginning on page 7. *The Push-To-Open installation differs from the Pull-To-Open installation in the following ways:*

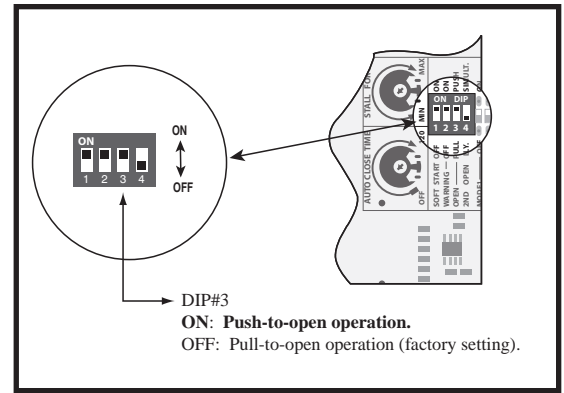
1. In a Push-To-Open installation, the arm fully extends to open the gate, and it fully retracts to close the gate. **(C)**
2. You will install the operator while the gate is in the **CLOSED POSITION (arm fully retracted)**. **(A)**
3. You must use the Push-to-Open Post Pivot Bracket  [R4388] in the Post Bracket assembly. **(B)**
4. **IMPORTANT:** While determining the mounting point for the post pivot bracket assembly be sure that the position allows for 2" clearance between the gate and the operator in both the open and closed positions (see diagram below). This clearance will give the operator the most efficient leverage point for opening and closing the gate and more importantly provides the least possible pinch area. **(C)**



\*The Troubleshooting Wizard has detailed information on Push-To-Open installations.

## Set Control Board for Push-To-Open

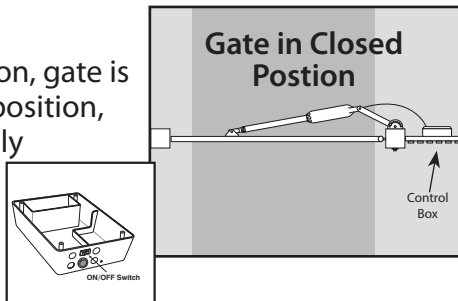
Make sure the control box power switch is OFF. Use a small screwdriver to move the Number 3 DIP switch from the factory setting (OFF / Pull-To-Open) to ON for Push-To-Open. Turn power switch ON. The control board is now configured to push the gate open.



## Setting the Open Position Limit (Push-To-Open Installations)

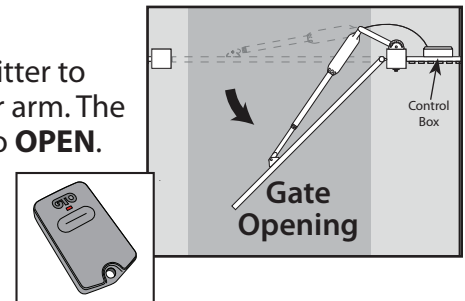
### Step 1

Power switch is on, gate is in the **CLOSED** position, operator arm fully retracted.



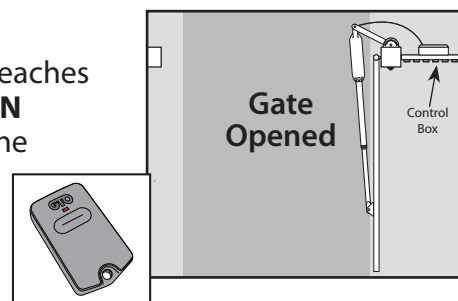
### Step 2

Press the transmitter to activate operator arm. The gate will begin to **OPEN**.



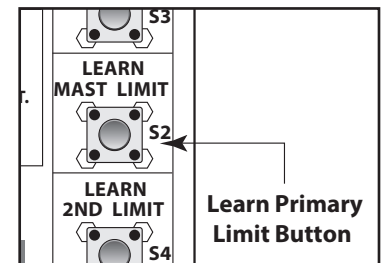
### Step 3

When the gate reaches the desired **OPEN** position, press the transmitter to stop the gate.



### Step 4

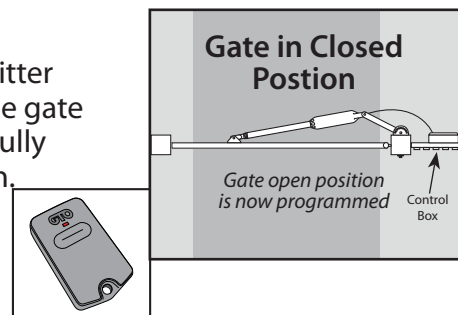
With the primary gate at the correct open position, program the open limit setting by pressing and holding **LEARN MAST LIMIT**.



### Step 5

Press the transmitter again to allow the gate to return to the fully **CLOSED** position.

Gate is now programmed



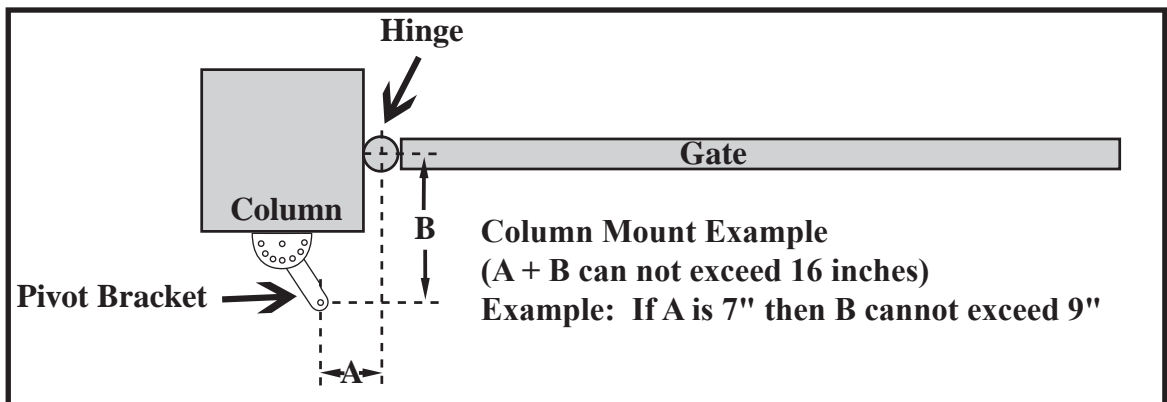
The gate closed position is now programmed. If you make a mistake and set the limit at the wrong position: press your transmitter to return the gate to the fully opened position, then press and hold the **LEARN MAST LIMIT** button for 5 seconds. This will clear the memory for the closed limit position. Repeat Steps 1-5.



# Column Installation

If this operator will be used with gates that are mounted on masonry, brick, or rock (etc.) columns, read the following carefully before proceeding

- A. The simplest solution is to install the operator in a push-to-open configuration. The minimum clearance is easier to achieve and clearance is no longer a problem, since the operator will be pushing the gate away from the column instead of pulling it toward the column. It is recommended that you place a steel plate between the operator mounting brackets and masonry surface for additional strength.
- B. If a push-to-open installation is impossible due to traffic hazards, terrain, etc., another option is to re-hang the gate. You may hang it on a post, either in the center of the column or at the back corner, or move the gate to the back corner of the column.
- C. The most difficult solution is to cut a notch in the column to accommodate the operator and power cable. This job is NOT for the inexperienced!\*



\*The Troubleshooting Wizard has detailed information on column mounting.

# Troubleshooting Guide

If your gate operator does not function properly after it is installed, use this guide before calling the GTO Service Department.

## Generation 3 Audible Feedback

SYMPTOM	DIAGNOSIS	CHECK:
1 short beep upon power up	Circuit Board Powered Up & Ready	<ul style="list-style-type: none"> <li>• Normal Operation</li> </ul>
1 short beep upon activation	Blown Fuse Low or Bad Battery Loose Battery Connection	<ul style="list-style-type: none"> <li>• Fuse</li> <li>• Battery Under Load</li> <li>• Battery Harness Connections</li> </ul>
Continuous Uninterrupted Alarm	Circuit Board Senses an Obstruction	<ul style="list-style-type: none"> <li>• Path of Gate</li> <li>• Gate for Level and Plumb</li> <li>• Stall Force Adjustment</li> <li>• Disconnect Safety Devices</li> <li>• Rev Counter</li> </ul>
1 beep with 10 seconds off	Low Battery Condition	<ul style="list-style-type: none"> <li>• Fuses</li> <li>• Battery Harness Connections</li> <li>• Battery Under Load</li> </ul>
1 beep then 2 beeps	Primary Motor Terminals Shorted	<ul style="list-style-type: none"> <li>• Connections to Primary Inputs</li> <li>• Primary Arm Power Cable</li> <li>• Motor</li> </ul>
1 beep with 2 seconds off	Primary Arm Limit Switch Error	<ul style="list-style-type: none"> <li>• <del>Circuit Board</del></li> <li>• Connections to Primary Inputs</li> <li>• Primary Arm Power Cable</li> <li>•</li> </ul>
3 beeps with 2 seconds off	Primary Arm Rev Counter Error	<ul style="list-style-type: none"> <li>• Connections to Primary Inputs</li> <li>• Primary Arm Power Cable</li> <li>• Rev Counter</li> </ul>

## Generation 3 Visual Feedback

SYMPTOM	DIAGNOSIS	CHECK:
Status (clear) 1 blink	Cycle Terminal Shorted	<ul style="list-style-type: none"> <li>• Disconnect the push button, keypad, intercom keypad, or any other accessory wired to this terminal.</li> <li>• Try the remote. If the remote works, then the problem is the accessory.</li> </ul>
Status (clear) 2 blinks	Safety Terminal Shorted	<ul style="list-style-type: none"> <li>• Disconnect the loop detector, photo beam, or any other accessory wired to this terminal.</li> <li>• Try the remote. If the remote works, the problem is the accessory.</li> </ul>
Status (clear) 3 blinks	Exit Terminal Shorted	<ul style="list-style-type: none"> <li>• Disconnect exit wand, loop detector, photo beam, or any other accessory wired to this terminal.</li> <li>• Try remote. If the remote works, the problem is the accessory.</li> </ul>
Status (clear) 4 blinks	Shadow Terminal Shorted	<ul style="list-style-type: none"> <li>• Disconnect the loop detector, photo beam, or any other accessory wired to this terminal.</li> <li>• Try remote. If the remote works, the problem is the accessory.</li> </ul>
Status (clear) 5 blinks	Close Edge Terminal Shorted	<ul style="list-style-type: none"> <li>• Disconnect the edge sensor, photo beam, or any other accessory wired to this terminal.</li> <li>• Try the remote. If the remote works, the problem is the accessory.</li> </ul>
Status (clear) 6 blinks	Open Edge Terminal Shorted	<ul style="list-style-type: none"> <li>• Disconnect edge sensor, photo beam, or any other accessory wired to this terminal.</li> <li>• Try the remote. If the remote works, the problem is the accessory.</li> </ul>
RF (yellow) Flickers	Receiving 318 MHz RF	<ul style="list-style-type: none"> <li>• Normal operation when remote or wireless keypad is used.</li> </ul>
RF (yellow) OFF	No 318 MHz RF Received	<ul style="list-style-type: none"> <li>• Battery in Remote</li> <li>• Program Remote</li> <li>• Antenna Receiver Connections</li> <li>• Antenna Receiver</li> </ul>
Power (green) ON	AC or Solar Power Present	<ul style="list-style-type: none"> <li>• Normal Operation</li> </ul>

### VOLTAGE READINGS

18 Vac Transformer	18.0 to 22.0 Vac
10 W Solar panel (single)	18.0 to 22.0 Vdc
<i>In FULL SUN — measure voltage with the Solar Panel Disconnected.</i>	
12 V, 7 amp hour Battery	12.5 to 13.5 Vdc
or Two 12V, 7 amp hour Batteries if using solar power	
<i>Measure voltage at battery terminals with battery disconnected</i>	
Charging circuit	12.0 to 14.8 Vdc
<i>Measure voltage at battery terminals with battery connected</i>	

# Repair Service

If your GTO 3000XLS Gate Operator is not operating properly, please follow the steps below:

1. First use the procedures found in the Troubleshooting Guide (see page 24).
2. Use the 24/7 Troubleshooting Wizard at <http://support.gtoinc.com>.
3. If you are unable to solve the problem, call the GTO Service Department at (800) 543-1236, or (850) 575-4144. Refer to the serial number (located on the right side of the control box) and date of purchase when calling for assistance.
4. If repair or replacement of your gate operator is necessary, the Service Department will assign a Return Goods Authorization (RGA) number to you.
5. Once you have received your RGA# you are required to send in your original equipment for repair. Please refer to Manufactures' Limited Warranty for complete details. Securely pack the component(s) authorized for return to the factory. Include a copy of your sales receipt for the purchase of the product(s). Write the RGA number issued to you on the outside of the package in **LARGE BOLD PRINT**.

Ship the package(s) freight prepaid to: GTO, 3121 Hartsfield Road, Tallahassee, Florida, USA 32303.

**NOTE: Products returned to GTO without a Return Goods Authorization (RGA) number in LARGE BOLD PRINT on the outside of the package WILL NOT be accepted. Also, items returned to GTO freight collect WILL NOT be accepted.**

## GTO Technical Service

8:00am–7:00pm • Monday–Friday (EST)



3121 Hartsfield Road • Tallahassee, Florida, USA 32303

(850) 575-0176 • Fax (850) 575-8912

Web site [www.gtoaccess.com](http://www.gtoaccess.com)



24/7 Troubleshooting Wizard: <http://support.gtoinc.com>

# Accessories for 3000XLS

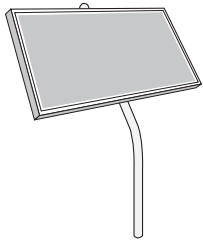
Please visit [www.gtoaccess.com](http://www.gtoaccess.com) for photos and detailed descriptions of GTO Accessories. Or call 1-800-543-GATE (4283).

## POWERING ACCESSORIES



### Low Voltage Wire [RB509]

The 16 gauge, stranded, dual conductor low voltage Wire is for connecting the AC powered transformer, solar panel or wired accessories to the system's control board. This specially designed wire is UV treated, PVC coated, and ready for direct burial.



### Solar Panel Kits [FM122/FM123]

If your gate operator is more than 1000 ft. away from an AC power outlet, you can choose to maintain the battery charge with the GTO Solar Panel Kit.

- 10 Watt Solar Panel Charging Kit [FM123]
- 5 Watt Solar Panel Charging Kit [FM122]



### Additional/Replacement Battery [RB500]

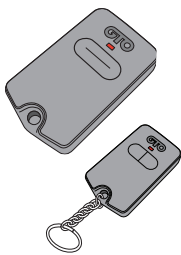
For additional battery power or replacement.

## "FROM VEHICLE" ENTRY AND EXIT ACCESSORIES

### Transmitters [RB741/RB742/RB743]

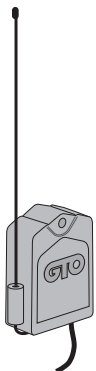
Purchase an additional transmitter for each vehicle in your family. The Two-Button Transmitter can be programmed to operate both your gate operator and a garage door opener using the Universal Receiver. Or it can be programmed to open two gate operator systems.

- Single Button Transmitter [RB741]
- Dual Button Transmitter [RB742]
- Three Button Transmitter [RB743]



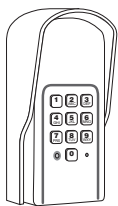
### Universal Receiver [RB709U-NB]

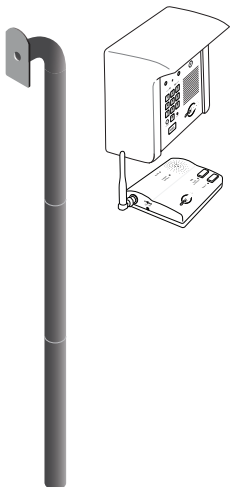
The Universal Antenna Receiver gives you the ability to use one remote to activate your gate operator and your garage door opener. Connects to any brand garage door opener. Up to 100 ft. range.



### Digital Keypad [F310]

Allow friends access to your property using an identification code that you provide. Program up to 25 entry codes for added security. Powered by three "AA" batteries (not included).





### **Residential Wireless Entry Intercom [F3100MBC]**

Designed for added security to your automated gate with the ability to “speak to” and “screen” visitors safely from inside your home. Ideal for securing gate entrances while providing controlled access.

### **Gooseneck Pedestal [F100/F110]**

Designed to mount digital keypads, wireless intercom systems, and other access control devices for your gate automation system.

## **“HANDS FREE” ENTRY & EXIT ACCESSORIES**

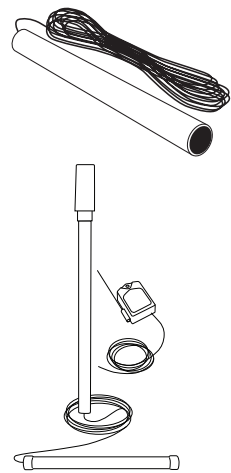
### **Driveway Vehicle Sensor [FM139]**

Automatically activates gate operator “Hands-Free” when a vehicle exits the property. Electromagnetic sensor detects vehicles in motion.

- 50 ft. [FM139]
- 100 ft. [FM140]
- 150 ft. [FM141]
- 250 ft. [FM141-250]

### **Wireless Vehicle Sensor [R4500]**

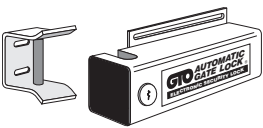
Automatically activates gate operator “Hands-Free” when a vehicle exits the property. 100 ft. range between transmitter and receiver. Easy installation.



## **LOCKING & SECURITY ACCESSORIES**

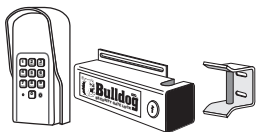
### **Automatic Gate Lock [FM144/FM142]**

The #1 Accessory For Swing Gate Operators! Designed for added security in conjunction with GTO Automatic Gate Operators. The gate lock unlocks and locks automatically when the gate opens and closes. The perfect solution for high wind conditions.



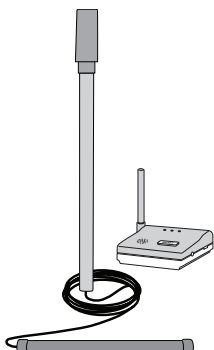
### **Bulldog Pedestrian Gate Lock [FM145]**

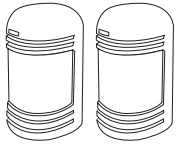
Designed to mount on horizontal swing “walk through” wood, chain link, and metal pedestrian gates opening in or out. Ideal for securing pools, condominiums, schools and any pedestrian gate.



### **Wireless Driveway Alarm [R4450].**

This device alerts you of vehicles entering your driveway (with or without an automated gate). The indoor base station signals you with a door chime when a vehicle passes the driveway sensor.

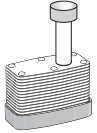




## ADDITIONAL ACCESSORIES

### Photo Beams [R4222]

Primary “through beam” photo beam device. Provides “non-contact” entrapment protection.



### Pin Lock [FM345]

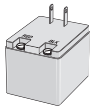
Use as a substitute for the clevis pin at the front mount of the 3000XLS to prevent theft of the operator.

- Pin Lock 10-pack: ten Pin Locks keyed alike [FM345KA].



### Push Button Control [RB101]

Wire this unlit push button directly to your gate operator for simple open/close/stop operation from up to 1000 ft. away. Use 16 gauge low-voltage wire.



### Replacement Transformer [RB570]

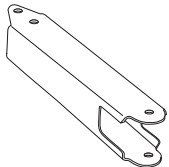
Standard 18 volt, 2200 mA AC transformer included with the 3000XLS to maintain battery charge.



### Gate Grounding Kit [R4196]

The purpose of the grounding kit is to REDUCE THE RISK of damage to electronic equipment from lightning strikes. There is no protection or grounding system that can completely eliminate this risk.

## HARDWARE ACCESSORIES



### Push To Open Bracket [R4388]

Required when the 3000XLS must push a gate open (arm extends to open), such as away from a sloping driveway or where space prevents gate from opening into the property (pull to open). Order two brackets for a dual swing gate installation.



### Column Mount Lock Receiver [433IH]

For use with the Automatic Gate Lock or Bulldog Pedestrian Gate Lock when mounting on brick columns or applications with limited space.

**GTO<sup>®</sup> / ACCESS  
SYSTEMS**  
**PROFESSIONAL RESIDENTIAL**

**3121 Hartsfield Road • Tallahassee, Florida, USA 32303**

**(850) 575-0176 • Fax (850) 575-8912**

**Web site [www.gtoaccess.com](http://www.gtoaccess.com)**



**24/7 Troubleshooting Wizard: <http://support.gtoinc.com>**