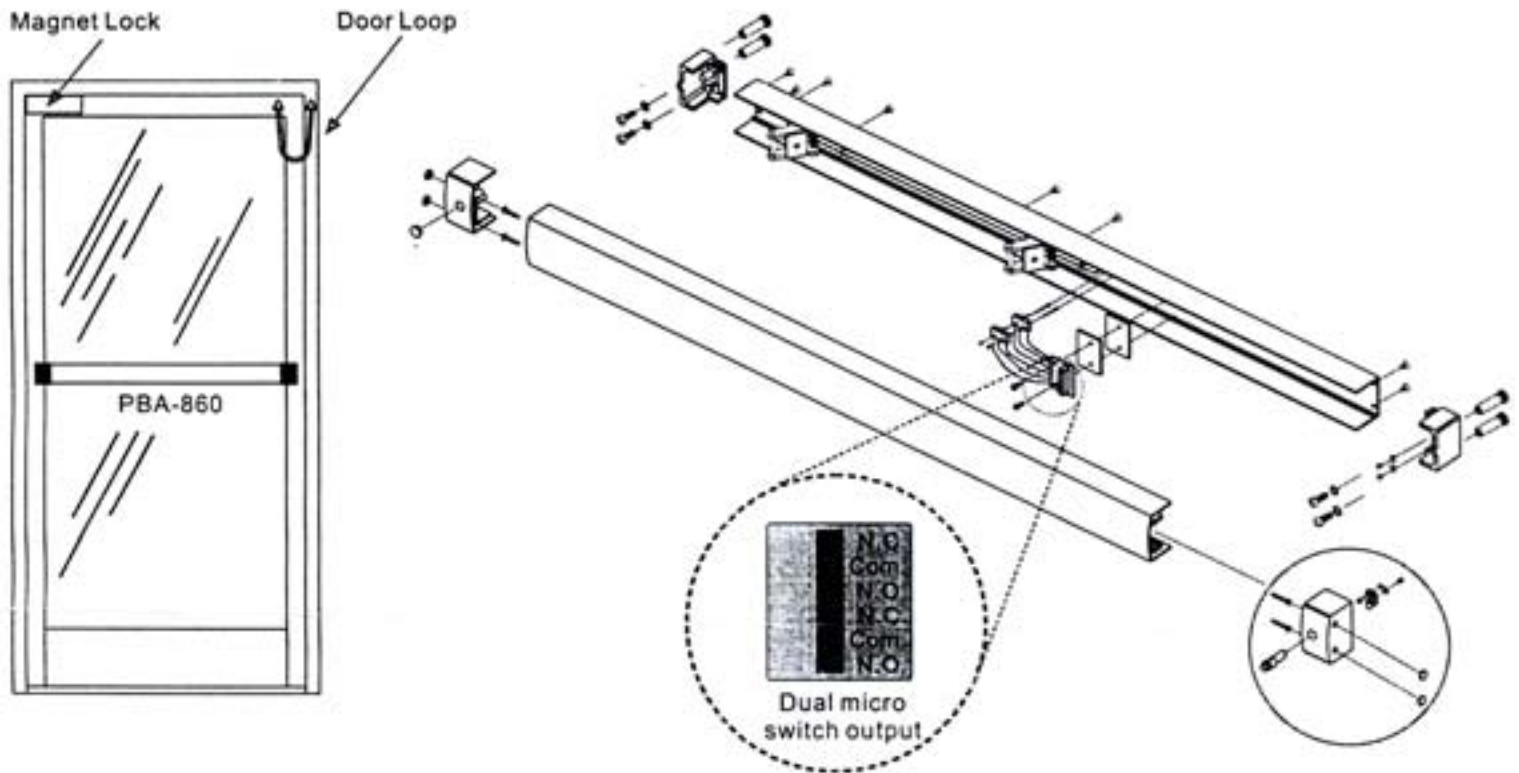
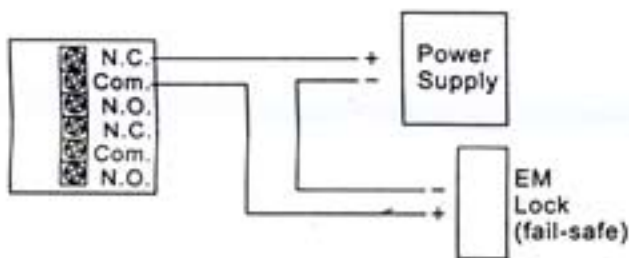


PBA-860 Micro Switch Bar

The PBA-860 Mechanical Micro Switch Bar is focus on emergency exit doors (or other large-scale type doors), with a pressure push immediately cut the interior micro switch unlocking the electromagnet lock or other similar devices. Easy to install attractive brushed aluminum bar with black base and trim. Available in dimension of 875(L)*60(W)*65(D)mm Standard Sized in Satin Silver, Red and Green Colors for versatile applications.

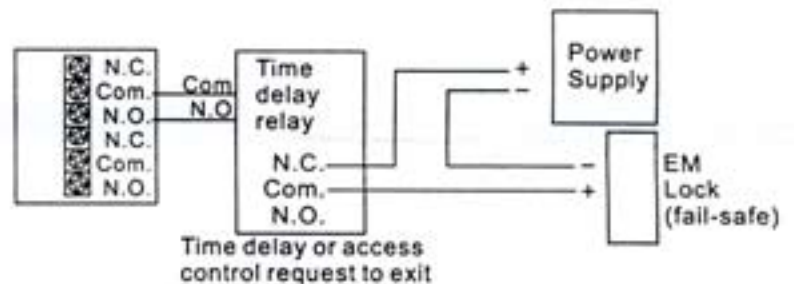


Electrical Specifications
SPDT 5 Amp 125Vac



Voltage output to lock and dry SPDT auxiliary output.

Electrical Specifications
SPDT 5 Amp 125Vac



Dry contact output to TD or access control and dry SPDT auxiliary output.

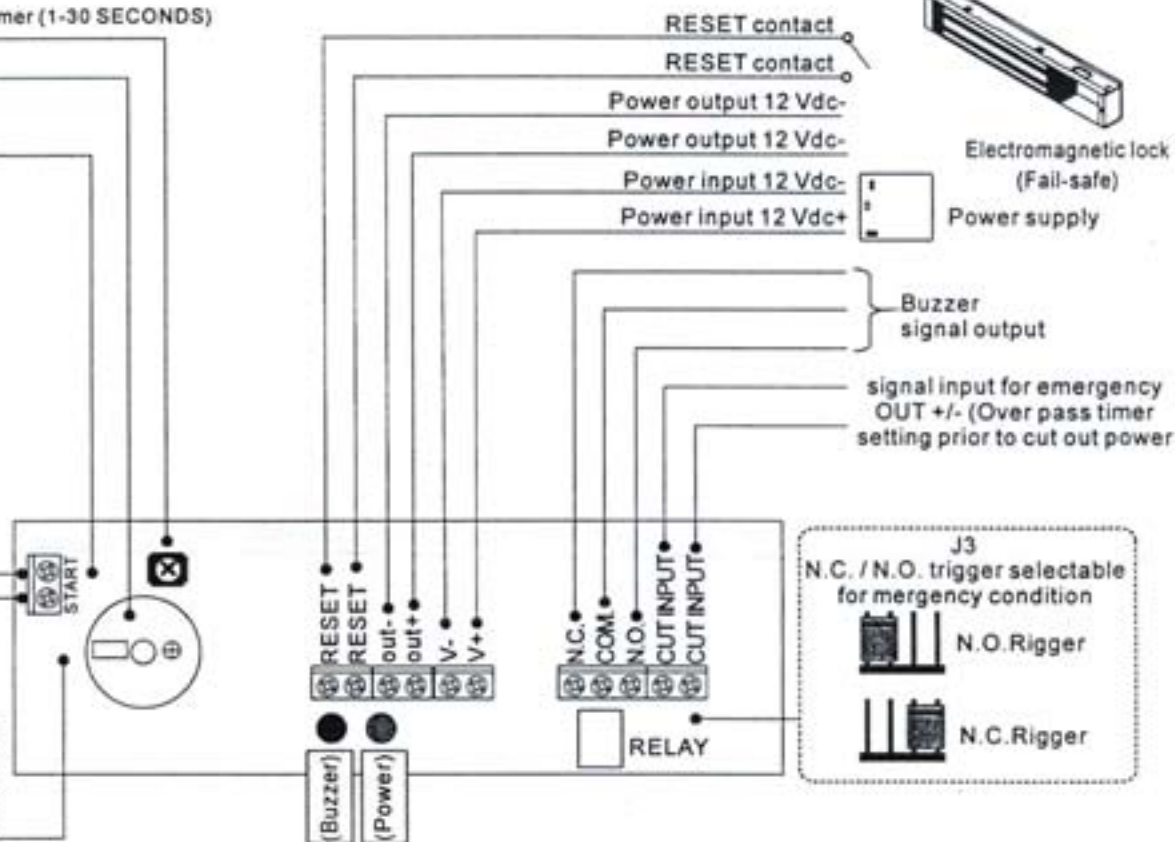
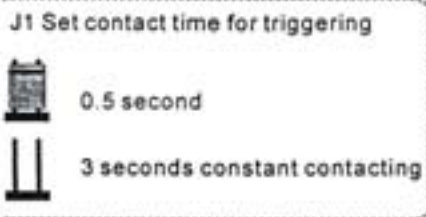
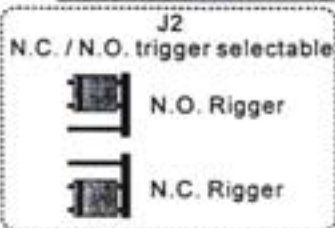
PBA-860TDI control panel wiring diagram

Switch 2 output

- Red (N/C)
- Black (COM.)
- White (N/O)



95db Sounder



Manual Instructions

- * P1 , P2 setting for trigger N.O. or N.C. contact and timmer adjustable.
- * OUT +/- voltage output eliminated after 1 - 30 seconds delay timer set, an over pass timer setting OUT +/- prior to cut out power instantly when emergency (CUT INPUT) condition.
- * P3 setting for trigger N.C. or N.O. contact on emergency condition.
- * Buzzer and signal output for termination control purposer, contact rated 3A@12VDC or 1A@125VAC
- * RESET for stand by activation.
- * Electromagnet lock is fail-safe version, recommend to use UL approved power supply unit for UPS (uninterruption Power Supply) system integration at any time.