

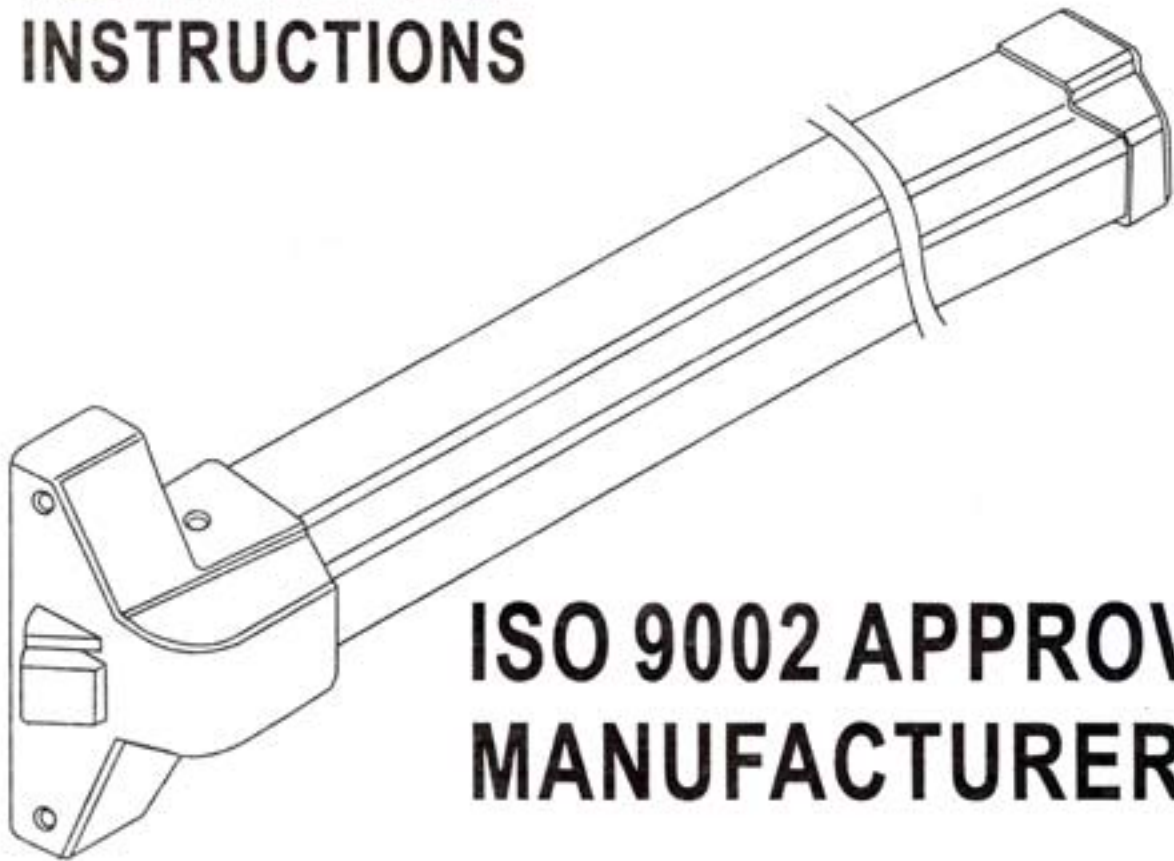


4000FR PANIC EXIT DEVICE



3-HOUR FIRE RATED PANIC EXIT DEVICE

INSTALLATION INSTRUCTIONS



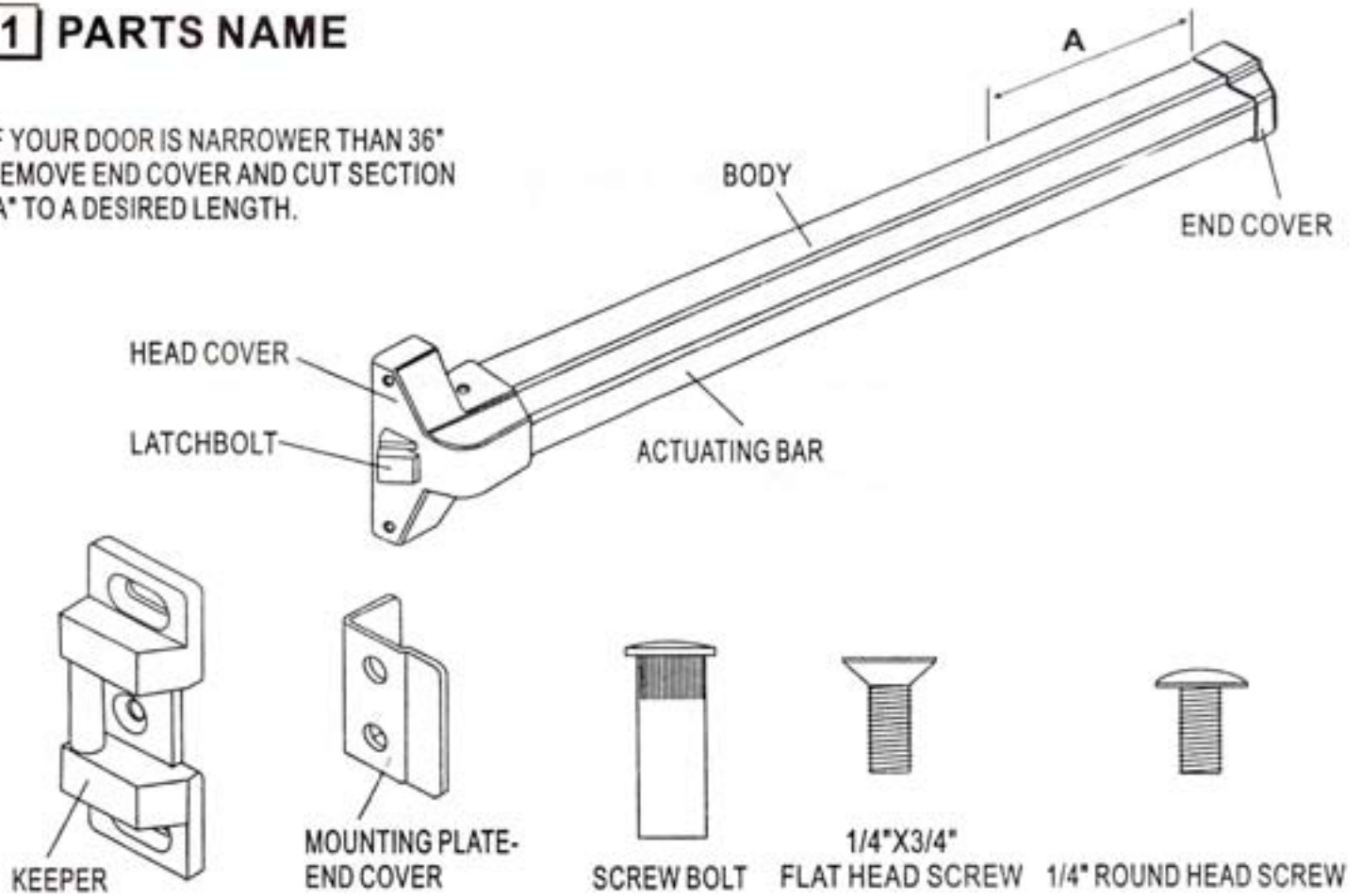
**ISO 9002 APPROVED
MANUFACTURER**

TOOLS REQUIRED FOR INSTALLATION:

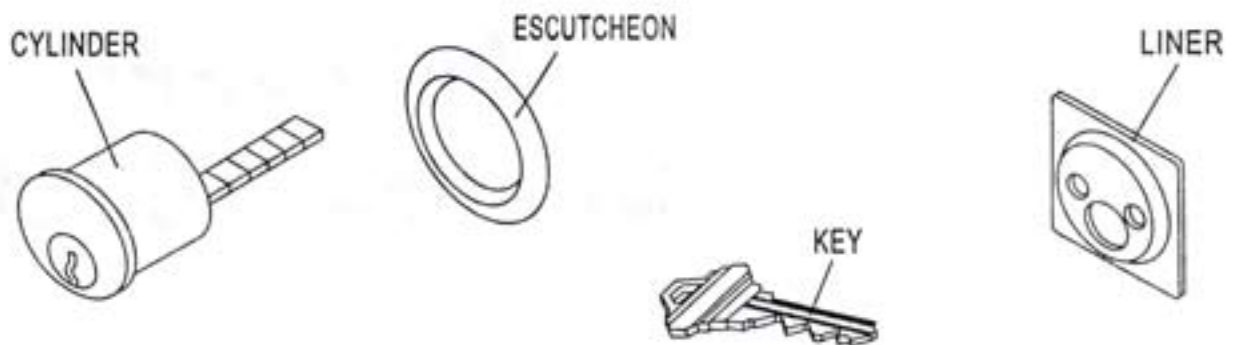
- 1.SAW**
- 2.DRILL**
- 3.DRILL BIT 7/32" , 3/8"**
- 4.TAP 1/4".20P**
- 5.PHILLIPS HEAD SCREWDRIVER**

1 PARTS NAME

IF YOUR DOOR IS NARROWER THAN 36"
REMOVE END COVER AND CUT SECTION
"A" TO A DESIRED LENGTH.

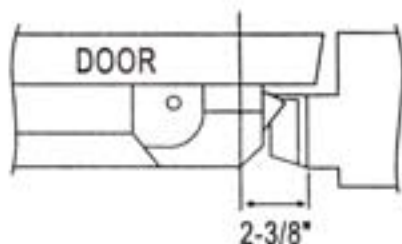


2 OPTIONAL PARTS

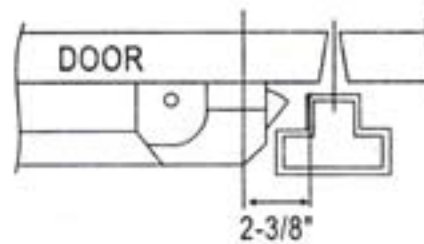


3 TYPE OF INSTALLATION

A. SINGLE DOOR

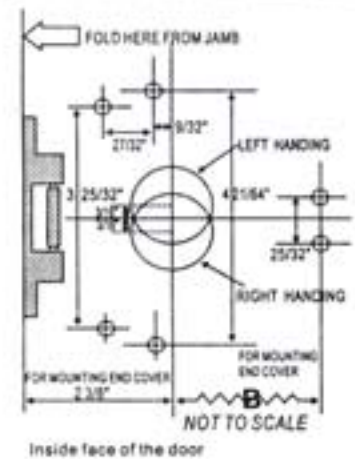
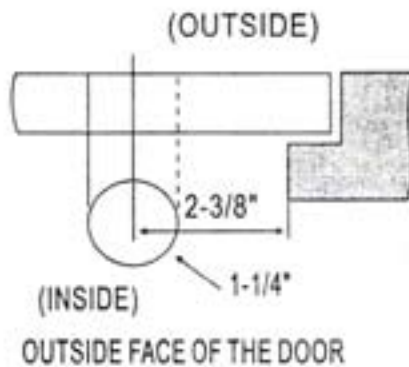


B. DOUBLE DOOR WITH MULLION



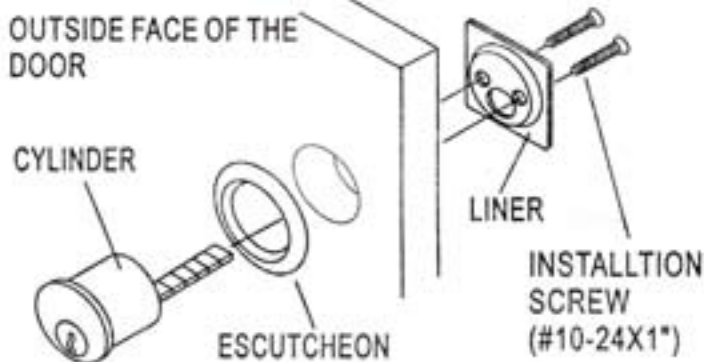
4 DRILL HOLES

1. USE TEMPLATE ENCLOSED TO MARK DOOR FACE AND DRILL HOLES IN ACCORDANCE WITH THE DIAMETERS SUGGESTED.
2. "B" LENGTH SHOULD BE MEASURED FROM THE CENTER OF CYLINDER HOLE TO THE END OF THE BODY.
3. DRILL $3/8"$ HOLEX6PCS
(NOTE: $3/8"$ HOLE ONLY , VERY IMPORTANT)

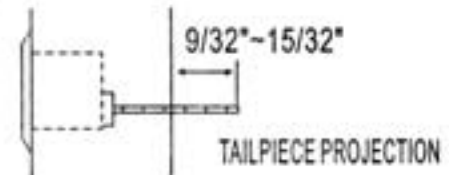


CENTER OF CYLINDER END OF BODY
INSIDE FACE OF THE DOOR

5 INSTALL CYLINDER

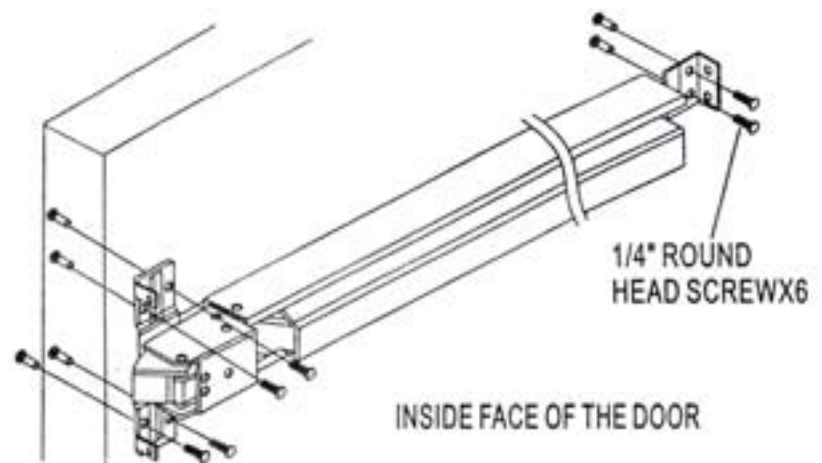


1. INSERT THE CYLINDER THROUGH ESCUTCHEON INTO THE HOLE ON THE DOOR.
2. KEEP THE TAILPIECE HORIZONTAL.
3. MOUNT LINER ON INSIDE OF DOOR AND TIGHTEN WITH SCREWS.
4. TAILPIECE PROJECTION OVER INSIDE OF DOOR IS SUGGESTED IN THE RANGE $9/32"$ ~ $15/32"$. IF NECESSARY, USE A PLIER TO BEND AND SHORTEN TAILPIECE.



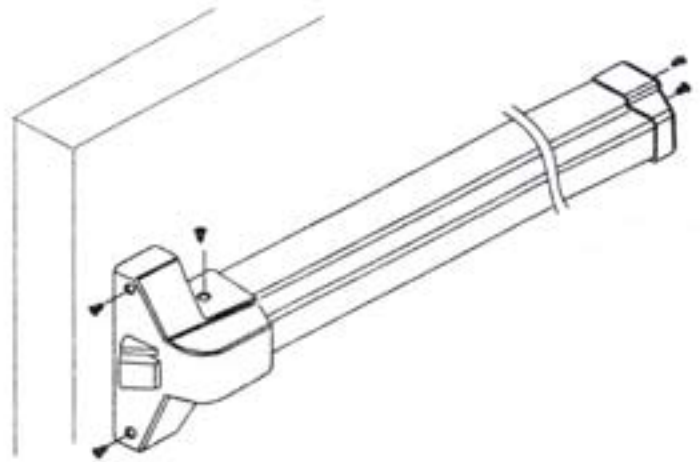
6 INSTALL BODY

1. REMOVE THE HEAD COVER AND END COVER.
2. ALIGN THE SCREW HOLES ON THE BODY WITH THE HOLES ON THE DOOR.
3. INSERT SCREW BOLT(6PCS) $3/8"$ FROM OUTSIDE OF THE DOOR THEN TIGHTEN THE $1/4"$ ROUND HEAD SCREW(6PCS) FROM INSIDE OF THE DOOR ON THE BODY AND THE MOUNTING PLATE OF END COVER



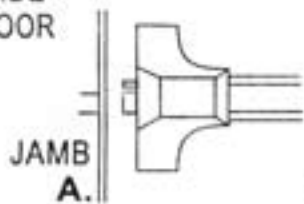
7 INSTALL HEAD COVER AND END COVER

1. PUT ON THE HEAD COVER AND END COVER.
2. TIGHTEN THE SCREWS SECURELY ON THE HEAD COVER AND THE END COVER.



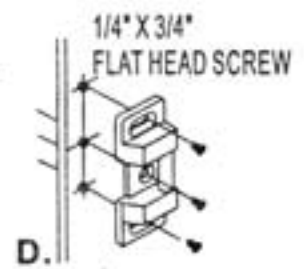
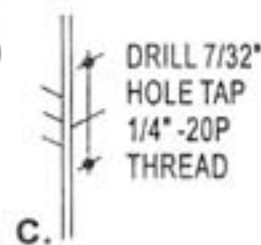
8 INSTALL KEEPER

- A. CLOSE DOOR AND MARK LATCH BOLT ON DOOR JAMB WITH A PENCIL.
- B. PLACE KEEPER ON DOOR JAMB. ALIGN CENTER OF KEEPER WITH CENTER OF PENCIL MARK. THEN ALIGN OUTSIDE EDGE OF KEEPER WITH OUTSIDE EDGE OF DOOR JAMB.



- C. MARK IN THE CENTER OF 2 ADJUSTABLE SLOT AND DRILL 7/32" PILOT HOLE AND TAP 1/4"-20P THREAD AT MARKED LOCATIONS THEN TIGHTEN WITH 1/4" X 3/4" FLAT HEAD SCREWS. OPEN AND CLOSE DOOR TO CHECK IF LATCH BOLT CAN EXTEND AND RETRACT PROPERLY. ADJUST KEEPER IF NECESSARY.

- D. WITH THE KEEPER IN FINAL POSITION, DRILL AT THE CENTER 7/32" PILOT HOLE AND TAP 1/4"-20P THREAD AND TIGHTEN WITH 1/4" X 3/4" FLAT HEAD



9 OPERATION TEST

- PRESS DOWN THE ACTUATING BAR. OPEN AND CLOSE DOOR A FEW TIMES AFTER INSTALLATION COMPLETED.

