



EMERGENCY EXIT LIGHT GXL-190S

INSTALLATION & OPERATION INSTRUCTIONS

IMPORTANT SAFEGUARDS

1. READ AND FOLLOW ALL SAFETY INSTRUCTIONS.

2. Review the diagrams thoroughly before beginning. If you feel you do not have electrical wiring experience, refer to a do-it-yourself wiring handbook or have your fixture installed by a qualified licensed electrician.
3. All electrical connections must be in accordance with local codes, ordinances, and the National Electric Code. If you are unfamiliar with methods of installing electrical wiring, secure the services of a qualified licensed electrician.
4. Before starting the installation, disconnect the power by turning off the circuit breaker or by removing the appropriate fuse at the fuse box. Turning the power off using the light switch is not sufficient to prevent electrical shock.
5. Do not use outdoors.
6. Do not let power supply cords touch hot surfaces.
7. Do not mount near gas or electric heaters.
8. Use cautions when servicing batteries. Battery acid can cause burns to skin and eyes. If acid is spilled on skin or in eyes, flush acid with fresh water and contact a physician immediately.
9. Equipment should be mounted in location and at heights where it will not readily be subject to tampering by unauthorized personnel.
10. The use of accessory equipment not recommended by the manufacturer may cause an unsafe condition.
11. Do not use this equipment for other than intended use.
12. All servicing should be performed by qualified personnel only.
13. Allow battery to charge for 24 hours before first use.

UNPACK THE FIXTURE

Check the contents of the box. You should receive:

- 1- Mounting plate
- 1- Fixture
- 2- Light heads assembly
- 1- Hardware package

NOTE: First turn off electricity.

Wall Mounting

1. Remove mounting plate from fixture by prying with screwdriver (See Fig.1)
2. Insert screwdriver to make appropriate keyhole slots open on mounting plate.

3. Pass white (neutral) and either black 120V or orange 277V hot, wire leads through center hole of mounting plate, make electrical connections in junction box, see electrical connection below. You may use hanging hook to hang fixture while making connection. Cap off unused hot lead.
4. Mount mounting plate to junction box with screw provided 8#32X1" long.
5. Connect red lead to battery positive terminal. (See Fig.2)
6. Snap on fixture to mounting plate.
7. Restore power and press test button. Battery powered builds will come on. AC light will turn off.

Ceiling Mounting

1. Remove mounting plate from fixture by prying with screwdriver gently. (See Fig.1)
2. Open top cover and knockout on the top of fixture.
3. Secure the mounting plate to tube with nut.
4. Pass white (neutral) and either black 120V or orange 277V hot, wire leads through center hole of mounting plate. Make electrical connections in junction box, see electrical connection below. You may use hanging hook to hang fixture while making connection. Cap off unused hot lead.
5. Connect red lead to battery positive terminal. (See fig.2)
6. Snap on fixture to mounting plate.
7. Restore power and press test button. Battery powered bulb will come on. AC light will turn off.

ELECTRICAL CONNECTIONS

Connect white wire lead from fixture to white (neutral) wire supply feed from circuit. Connect black 120V or orange 277V, (depending on supply voltage), wire lead from fixture to black (hot) wire from supply circuit. Use U.L. Listed wire connectors suitable for the size, type, and number of conductors. No loose strands or loose wires should be present. Secure wire connectors with U.L listed electrical tape.

Relamping

1. Insert screwdriver into the slot between lens and light head body and then push gently to remove lens.
2. Install bulb

CAUTION: DO NOT EXCEED RECOMMENDED MAXIMUM WATTAGE. (6V5W)

SAVE THESE INSTRUCTIONS

WALL MOUNTING

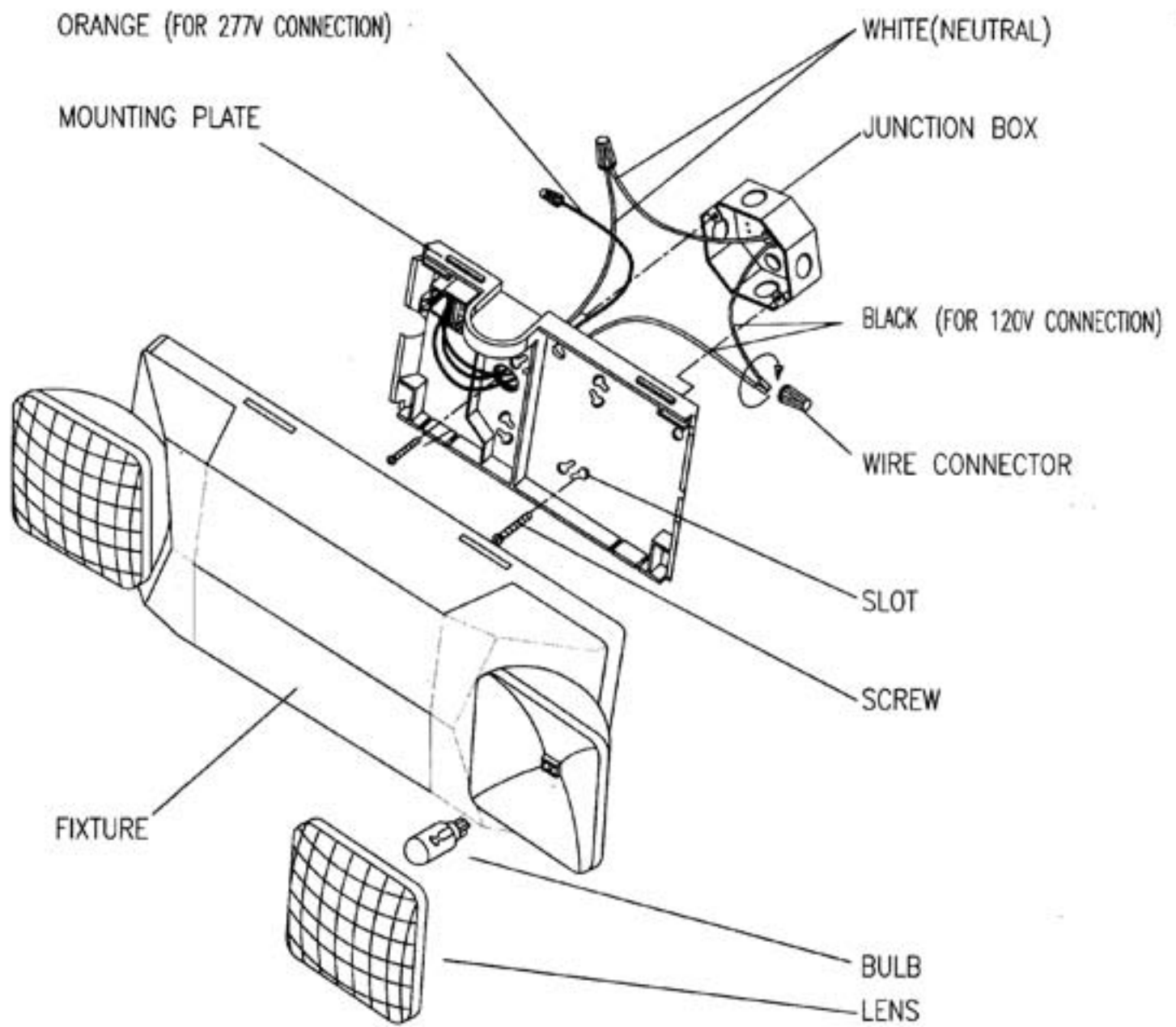


Fig.1

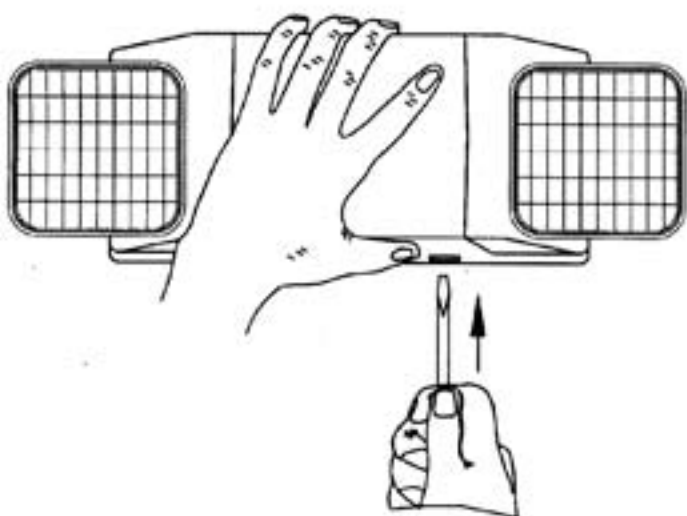
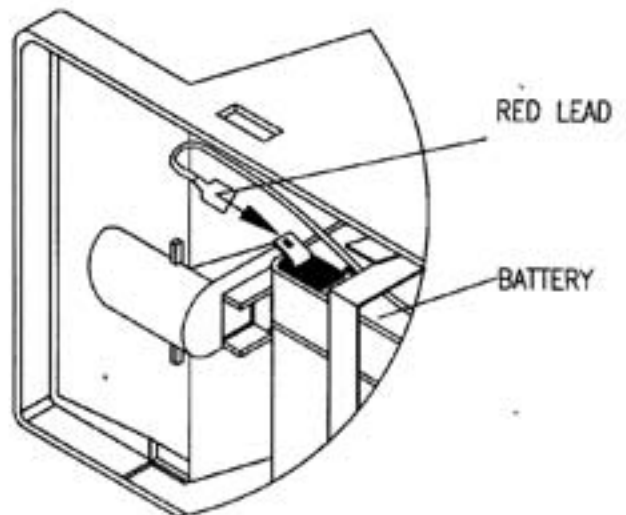


Fig.2



CEILING MOUNTING

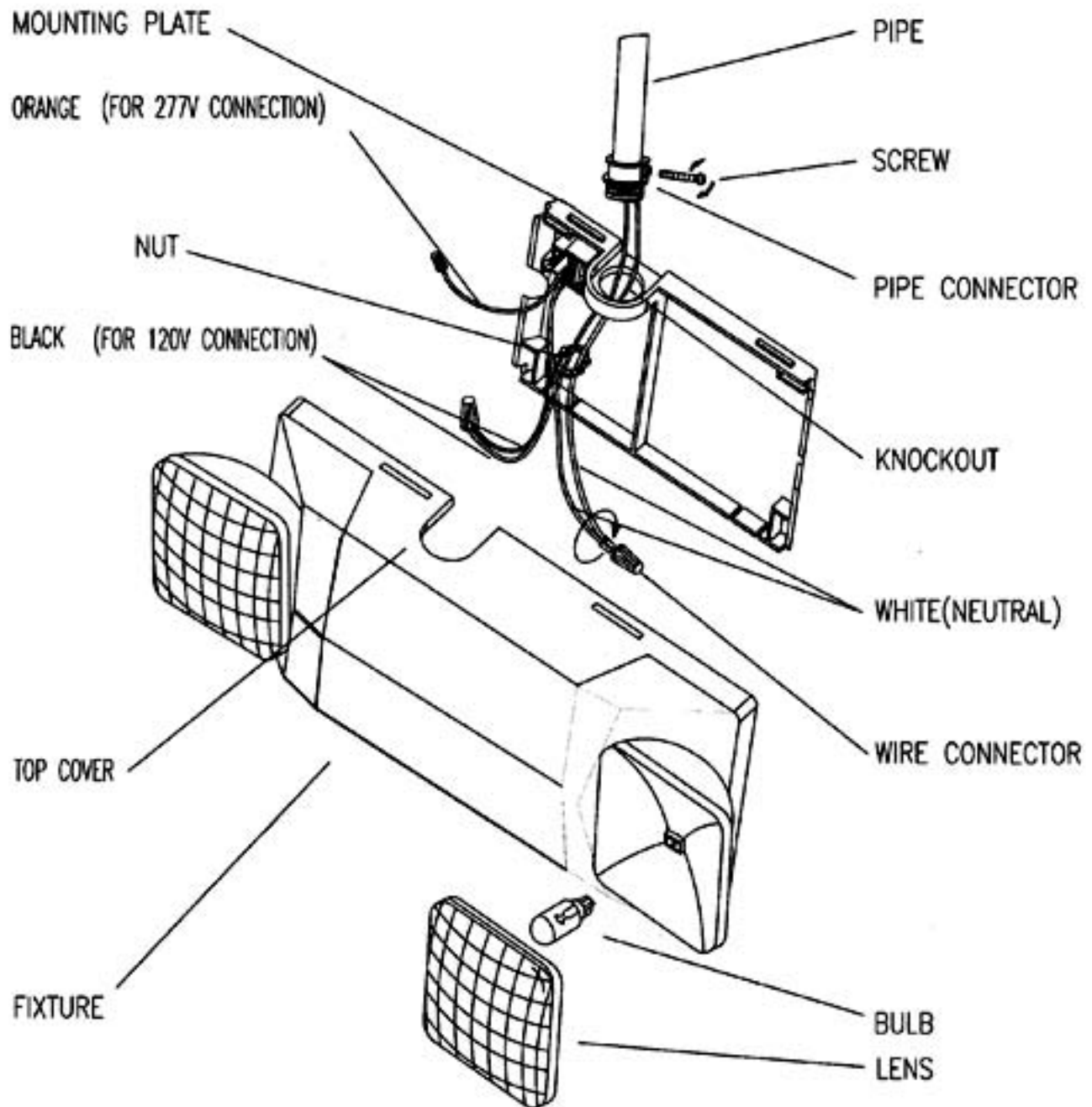


Fig.3

PARTS DESCRIPTION

1. LENS (2)
2. DC LAMP (2)
3. LAMPHOLDER (2)
4. REFLECTOR
5. LAMP HOUSING
6. SWIVEL
7. SIDE COVER
8. MAIN HOUSING
9. PC BOARD
10. BATTERY
11. POWER CONNECTOR
12. BRACKET
13. BACKPLATE

