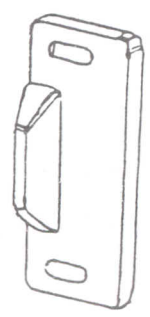
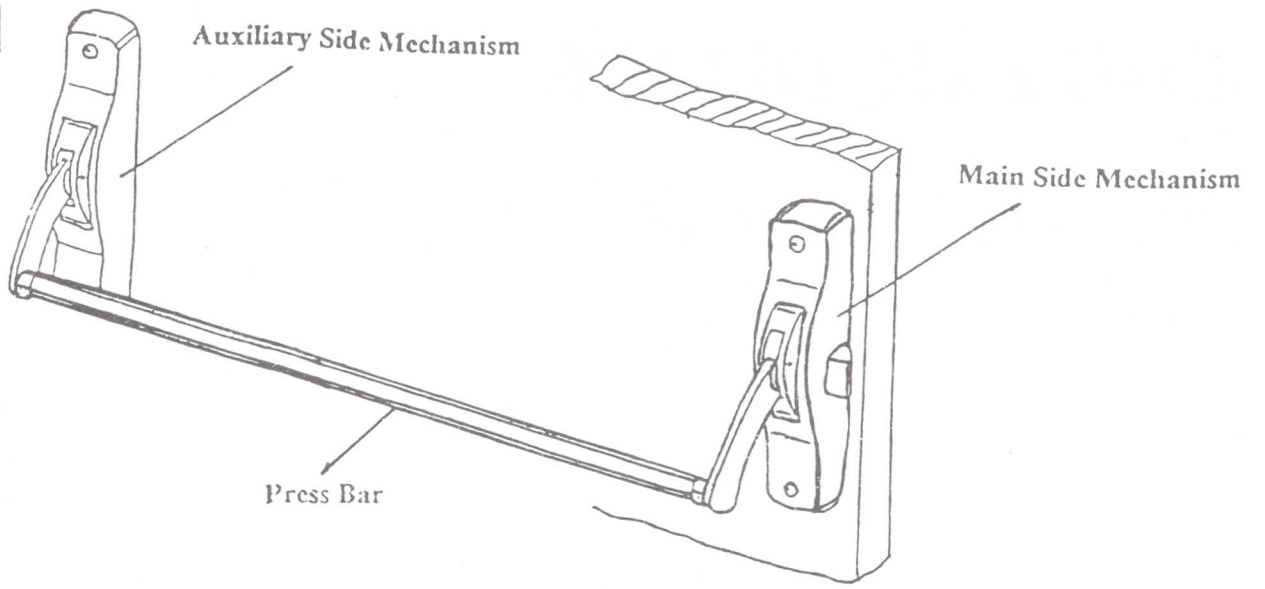


300 R

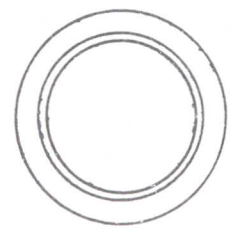
PANIC EXIT DEVICE

INSTALLATION INSTRUCTION

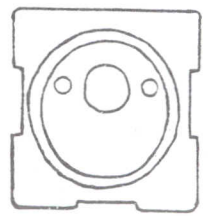
A



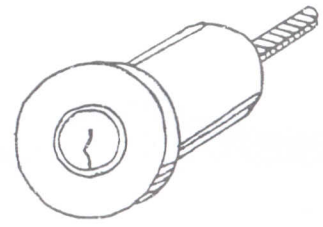
KEEPER



CYLINDER GUARD

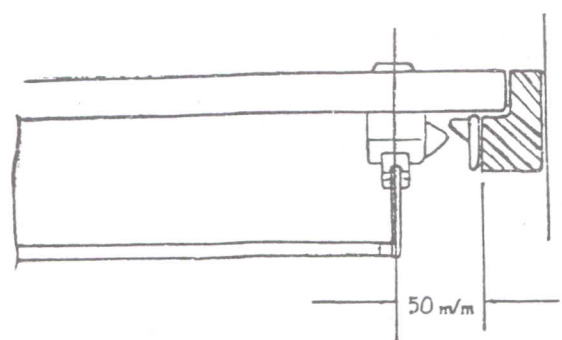


CYLINDER FIX PLATE

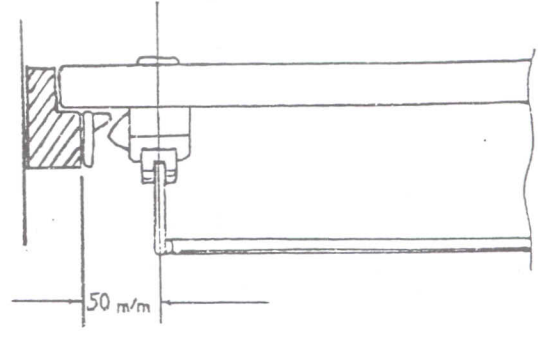


CYLINDER

B TYPE OF INSTALLATION



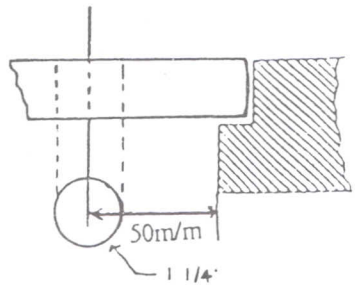
LEFT HAND INSTALLATION



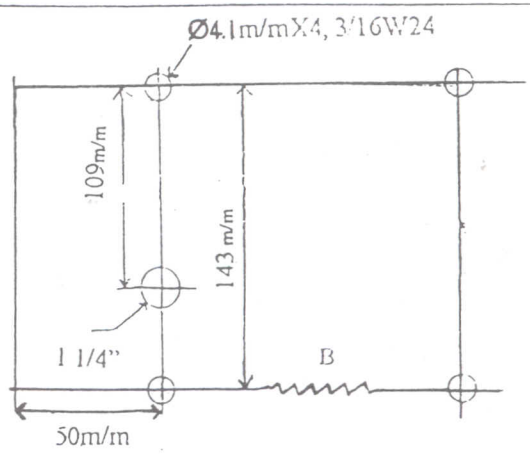
RIGHT HAND INSTALLATION

C DRILL HOLES

1. USE TEMPLATE ENCLOSED TO MARK DOOR FACE AND DRILL HOLES IN ACCORDANCE WITH THE DIAMETERS SUGGESTED
2. 'B' LENGTH SHOULD BE MEASURED FROM THE CENTER OF CYLINDER HOLE TO THE END OF THE BODY



OUTSIDE FACE OF THE DOOR

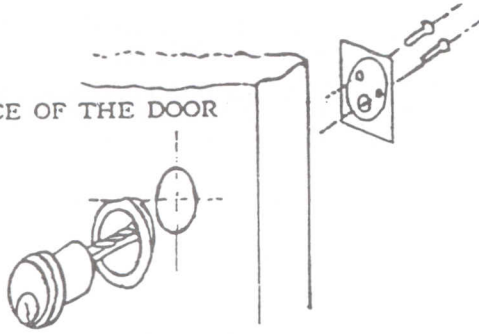


INSIDE FACE OF THE DOOR

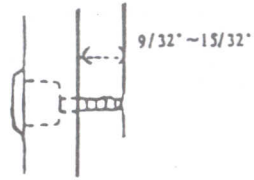
Ø4.1m/m X 4, 3/16W24

D INSTALL KEY CYLINDER

OUTSIDE FACE OF THE DOOR

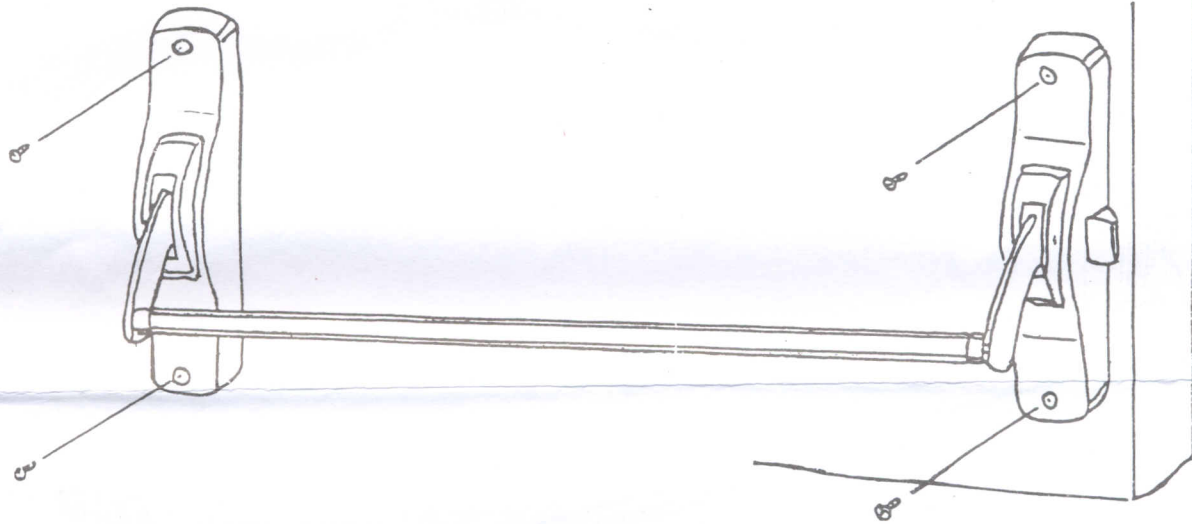


1. INSERT THE CYLINDER INTO THE HOLE ON THE DOOR
2. KEEP THE TAILPIECE HORIZONTAL
3. TIGHTEN THE SCREWS



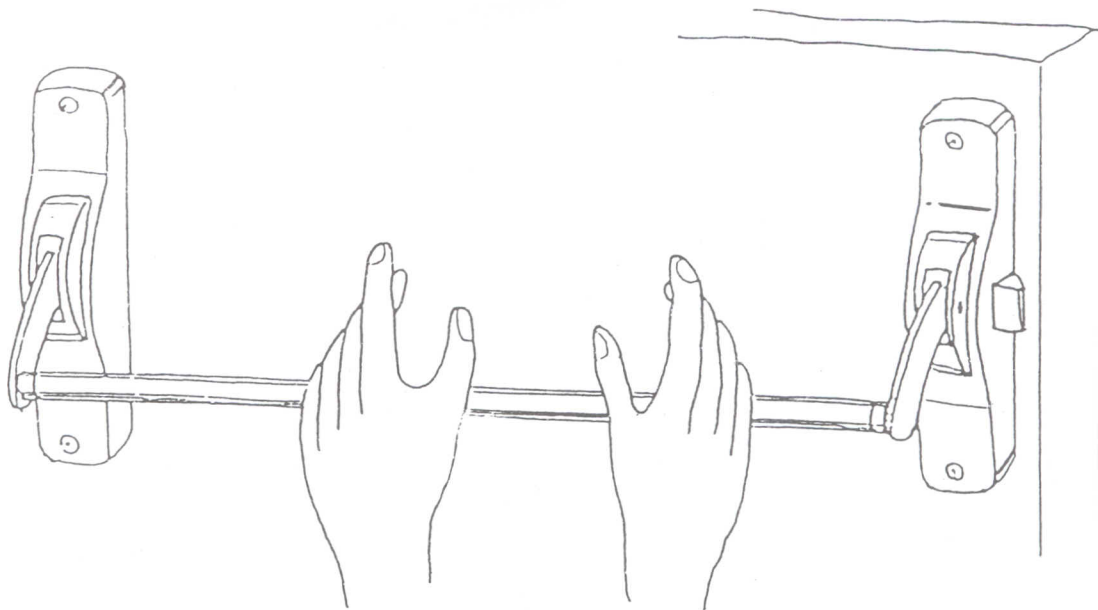
TAILPIECE PROJECTION

E INSTALL BODY



TIGHTEN SCREW

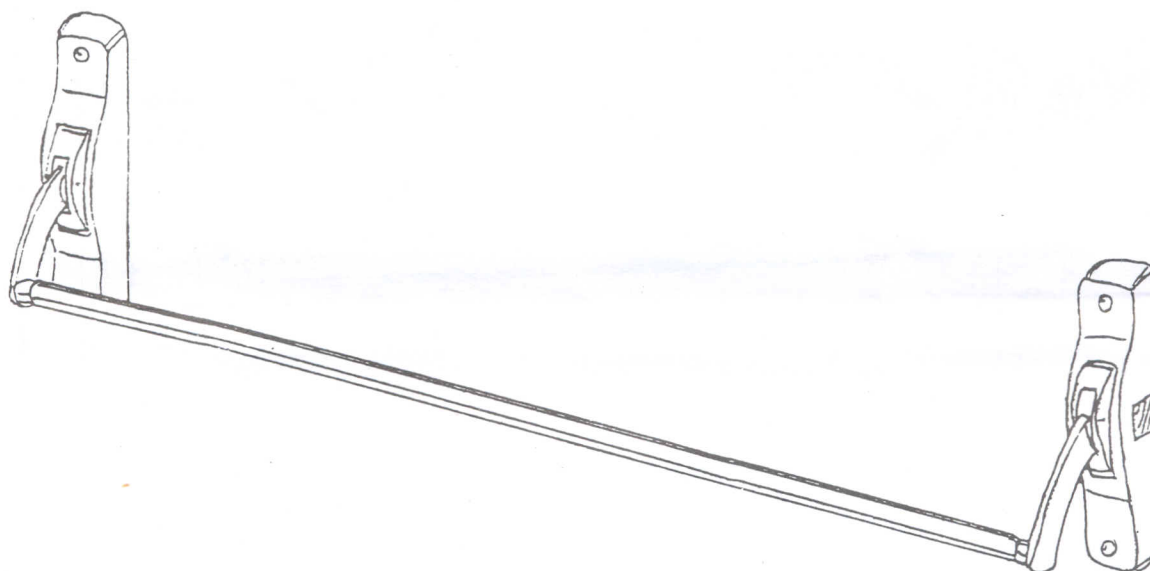
F OPERATION TEST

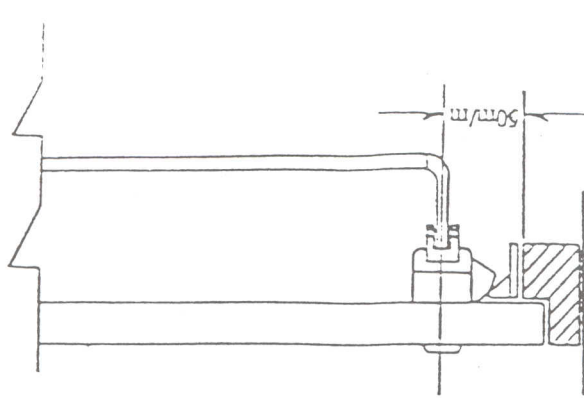


TEST PUSH BAR

NOTICE

TO EXTEND THE LIFE OF THIS PANIC DEVICE,
LOCK THE LATCH AS RETRACTED BY TURNING
THE BUTTON WHEN DOOR IS IN CONTINUOUS
ACTIVITY.





TEMPLATE FOR LEFT OPENING

TEMPLATE FOR RIGHT OPENING

