

ABOVE GROUND POOL SAFETY FENCE GATE

Installation Guide

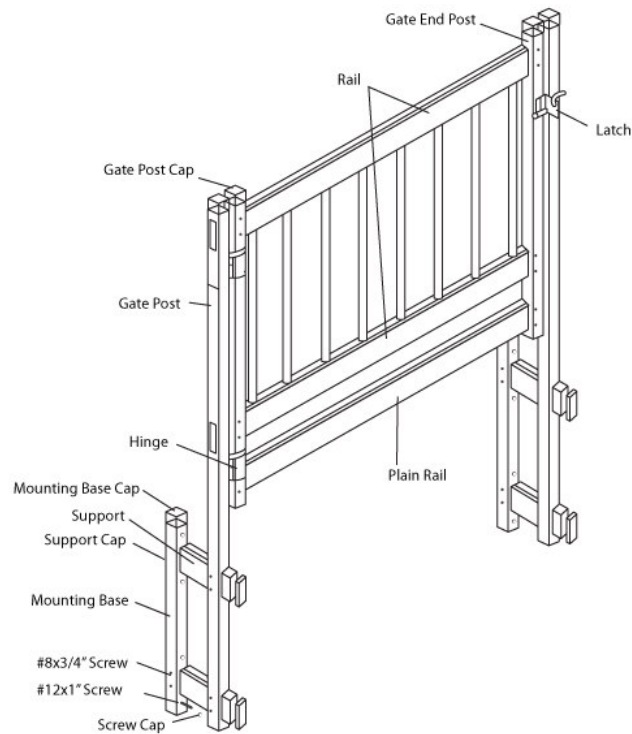
WARNING

This fence is not a substitute for adult supervision! Do not leave children in or around your pool without constant adult supervision!

- A fence is just one layer of defense for your pool. We highly recommend that in addition to the adult supervision you have multiple layers of pool defense.
- The pool entrance should remain locked using a self-closing and self-latching gate. That gate should be checked and maintained regularly.
- Building codes are different for all areas; please check with your local code enforcement department before purchase or installation for requirements in your area.
- This above ground pool fence is not designed as a handrail for decking and does not meet handrail codes.
- **The gate is not self closing self latching. The gate is only of convenient entry not for prevention of access to the pool. Alternate safety products should be used in with the gate. This may include but is not limited to: folding safety steps, self closing hinges, self latching lock.**

Pre-Installation

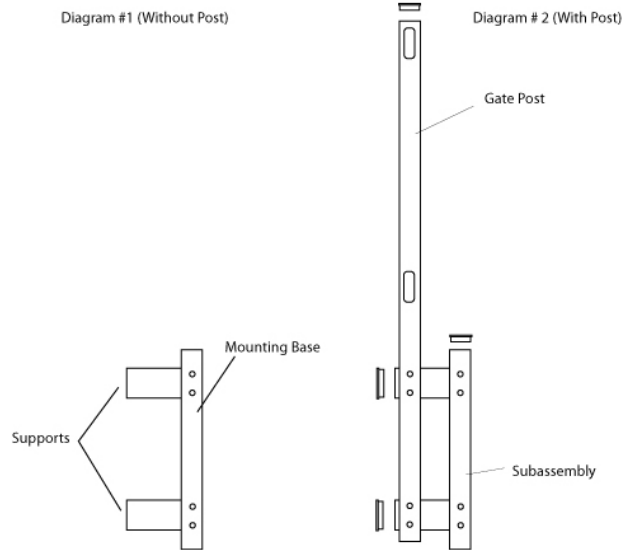
- Read the directions completely before beginning.
- Inspect the pool for impediments to installation. Check to make sure that braces are clear of obstacles and intact.
- Find the skimmer and make sure that it will not interfere with the planned location of the pool fence.
- Gather the tools needed for installation: cordless drill with Phillips head screwdriver bit, saw, pencil and measuring tape.



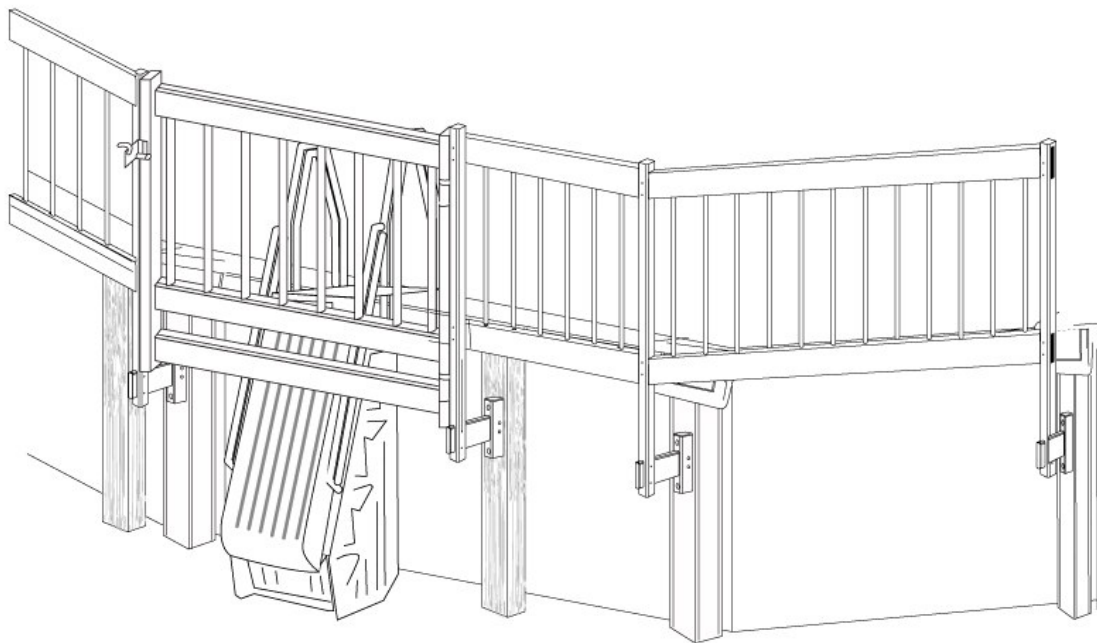
Part Overview Above

Step 1

The gate is held to the upright by the base; assemble the mounting base with the support. Secure them together using two screws in both sides of the base / support joint. The support should be positioned prior to screwing in flush with the backside of the base for full support.

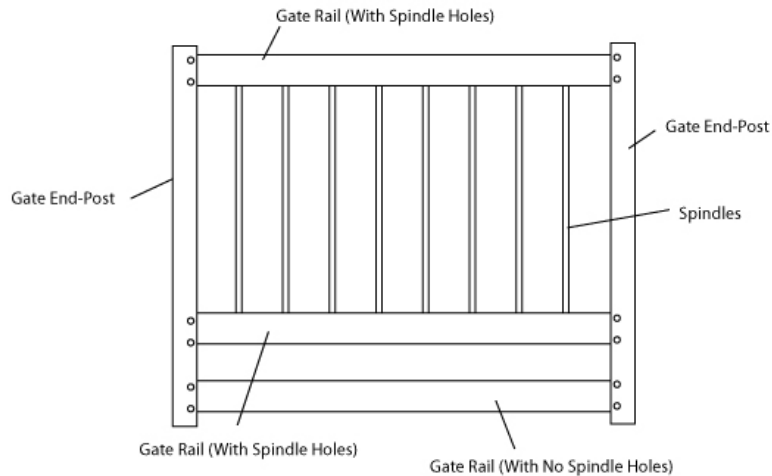


The maximum width of the gate is 38". If you do not have two uprights positioned within that measurement, use an artificial upright for one of the gate posts.



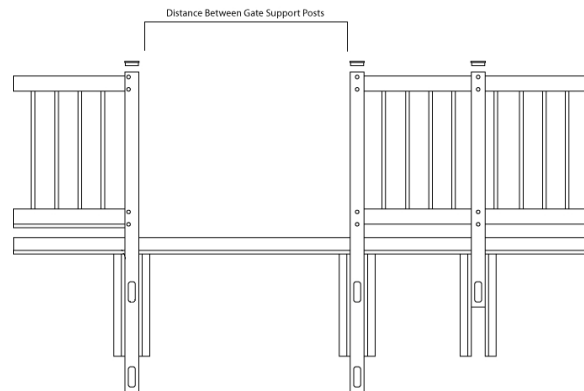
Step 2

Install mounting brackets created in the previous step. The posts for the gate take the place of the end posts for the fence. The fence will connect to the gate posts the same as in the instructions for the pool fence installation. Slide the gate posts into place allowing 1/2 inches between the inside face of the post and the pool wall top. Use the provided screw to secure the posts in place.



Step 3

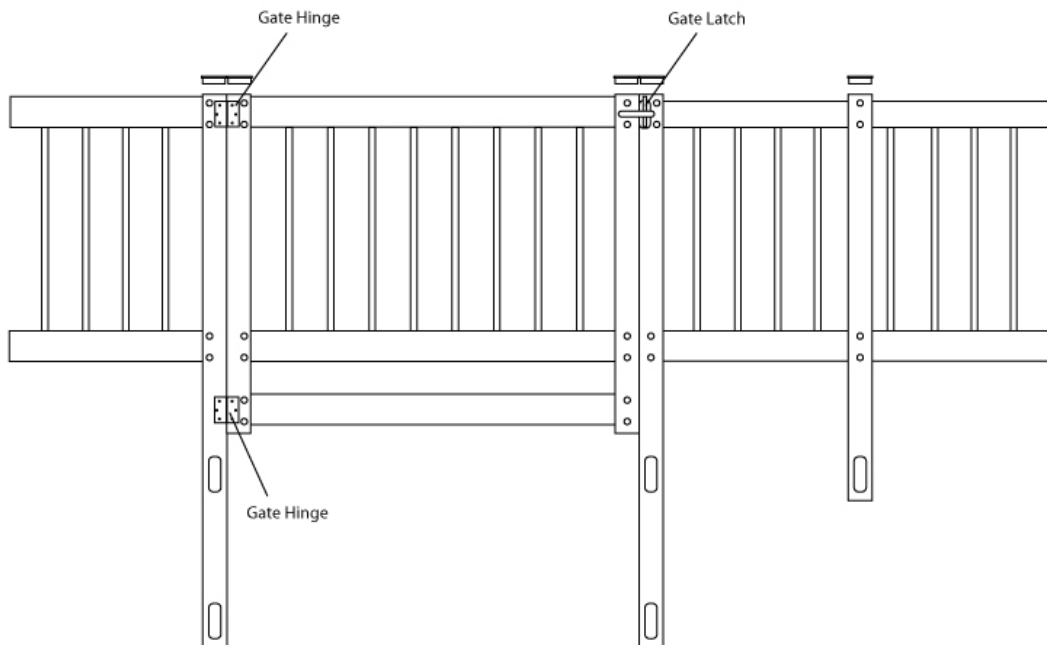
Build the gate next by measuring the gap between the inside faces of the two gate posts. Subtract 1/2" from that measurement and cut the top and bottom rail. When cutting be sure to cut even amounts off each end for even spindle spacing. Assemble the top and bottom rails with the spindle and then insert into the vertical gate ends. Before securing with screws double check the gate fits between the two gate posts and that the gate is square.



Step 4

Install the hinges and latch to hold the gate in place. The gate should swing away from the pool. Install the hinges first on the left of right hand side. Verify that the gate is flush with the top of the fence and is level. Lastly attach the latch.

The gate is not self closing self latching. The gate is only of convenient entry not for prevention of access to the pool. Alternate safety products should be used in with the gate. This may include but is not limited to: folding safety steps, self closing hinges, self latching lock.



Step 5

Finish the gate by adding caps.